

A B C D E

## Basic Pedestal

## Self Priming Centrifugal Pump

Models 88B3-B and 88B52-B

Size 8" x 8"



## PUMP SPECIFICATIONS

**Size:** 8" x 8" (203 mm x 203 mm) NPT - Female.**Casing:** Gray Iron 30.

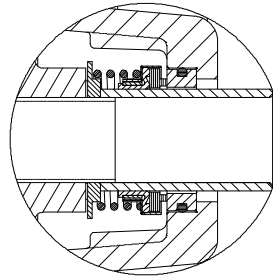
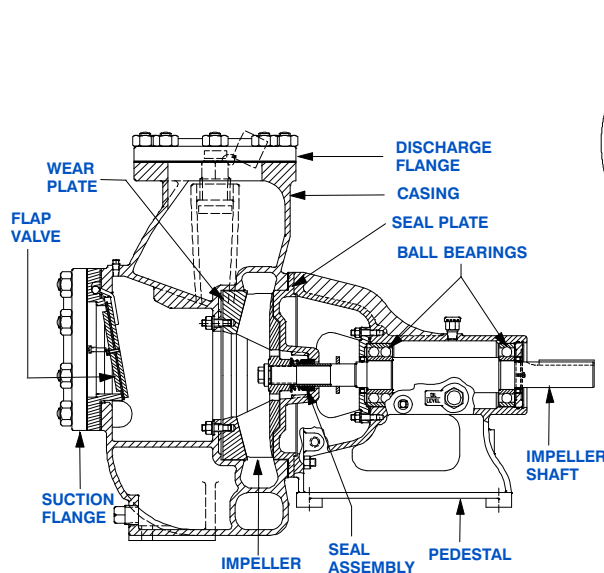
Maximum Operating Pressure 75 psi (517 kPa)\*.

**Semi-Open Type, Three Vane Impeller:** Gray Iron 30.

Handles 2 3/8" (60,4 mm) Diameter Spherical Solids.

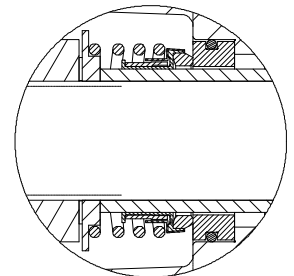
**Impeller Shaft:** Alloy Steel 4150.**Replaceable Wear Plate:** Gray Iron 30.**Pedestal:** Gray Iron 30.**Seal Plate:** Gray Iron 30.**Shaft Sleeve:** Alloy Steel 4130.**Flap Valve:** Buna-N and Steel.**Radial Bearings:** Open Single Row Ball.**Thrust Bearings:** Open Double Row Ball.**Bearing Lubrication:** SAE 30 Non-Detergent Oil.**Flanges:** Gray Iron 30.**Gaskets:** Cork.**O-Rings:** Buna-N**Hardware:** Standard Plated Steel and Stainless Steel.**Oil Level Sight Gauge.****Optional Equipment:** Consult Factory.

*\*Consult Factory for Applications Exceeding Maximum Pressure and/or Temperature Indicated.*



**88B3-B SEAL DETAIL** Type 21, Mechanical, Self-Lubricated. Carbon Rotating Face. Ni-Resist Stationary Face. Fluorocarbon Elastomers (DuPont Viton® or Equivalent). Stainless Steel 18-8 Cage and Spring. Maximum Temperature of Liquid Pumped, 160°F (71°C).\*

**88B52-B SEAL DETAIL** Type 31, Mechanical, Self-Lubricated. Silicon Carbide Rotating and Stationary Faces. Fluorocarbon Elastomers (DuPont Viton® or Equivalent). Stainless Steel 18-8 Cage and Spring. Maximum Temperature of Liquid Pumped 160°F (71°C).\*



88B52-B SHOWN



THE GORMAN-RUPP COMPANY • MANSFIELD, OHIO

GORMAN-RUPP OF CANADA LIMITED • ST. THOMAS, ONTARIO, CANADA

www.grpumps.com

Specifications Subject to Change Without Notice

Printed in U.S.A.

**Specification Data**

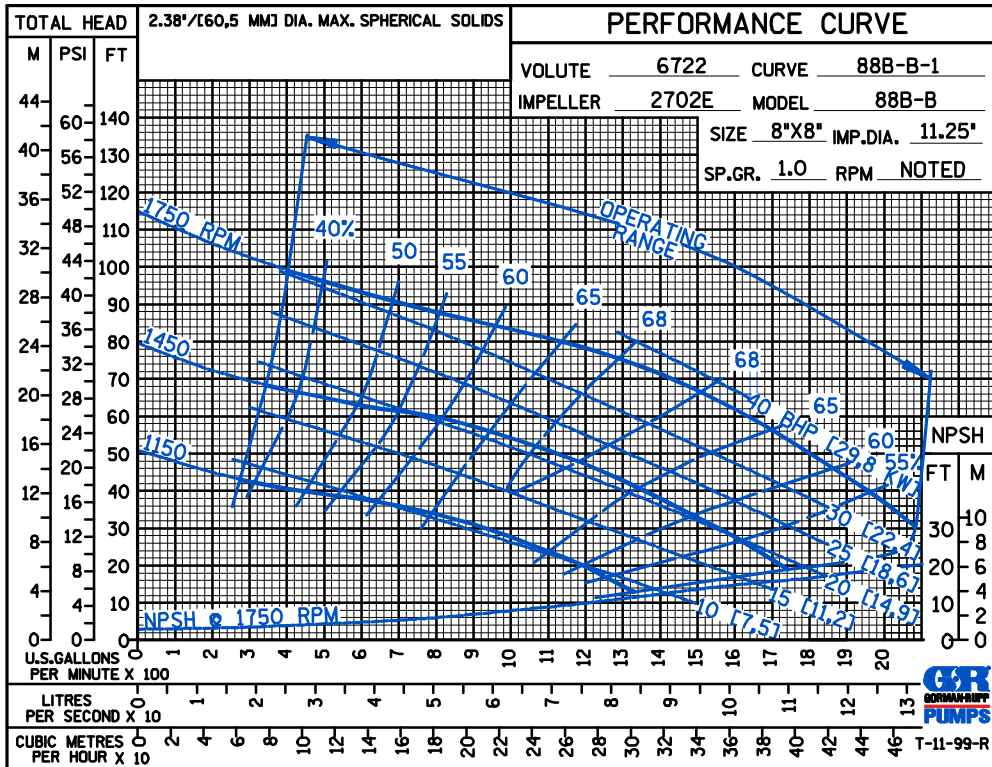
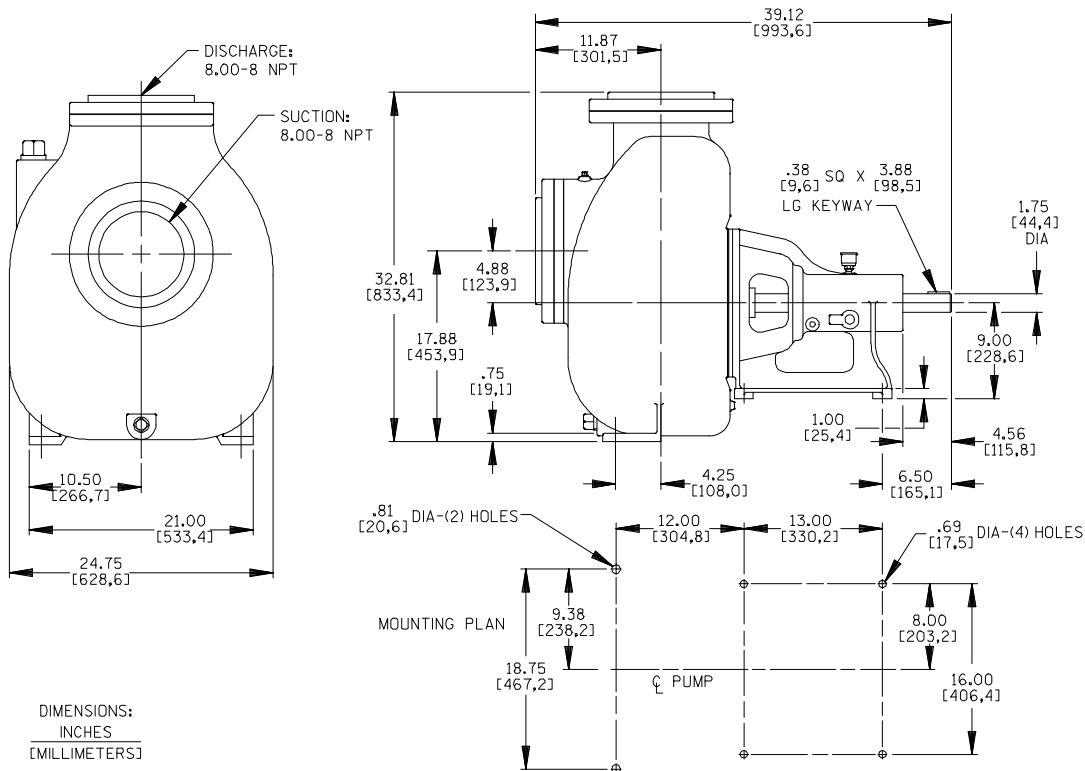
SECTION 50, PAGE 2201

APPROXIMATE  
DIMENSIONS and WEIGHTS

**NET WEIGHT: 680 LBS. (308 KGS.)**

**SHIPPING WEIGHT: 805 LBS. ((365 KGS.))**

**EXPORT CRATE: 26.7 CU. FT. (0,75 CU. M.)**



THE GORMAN-RUPP COMPANY • MANSFIELD, OHIO

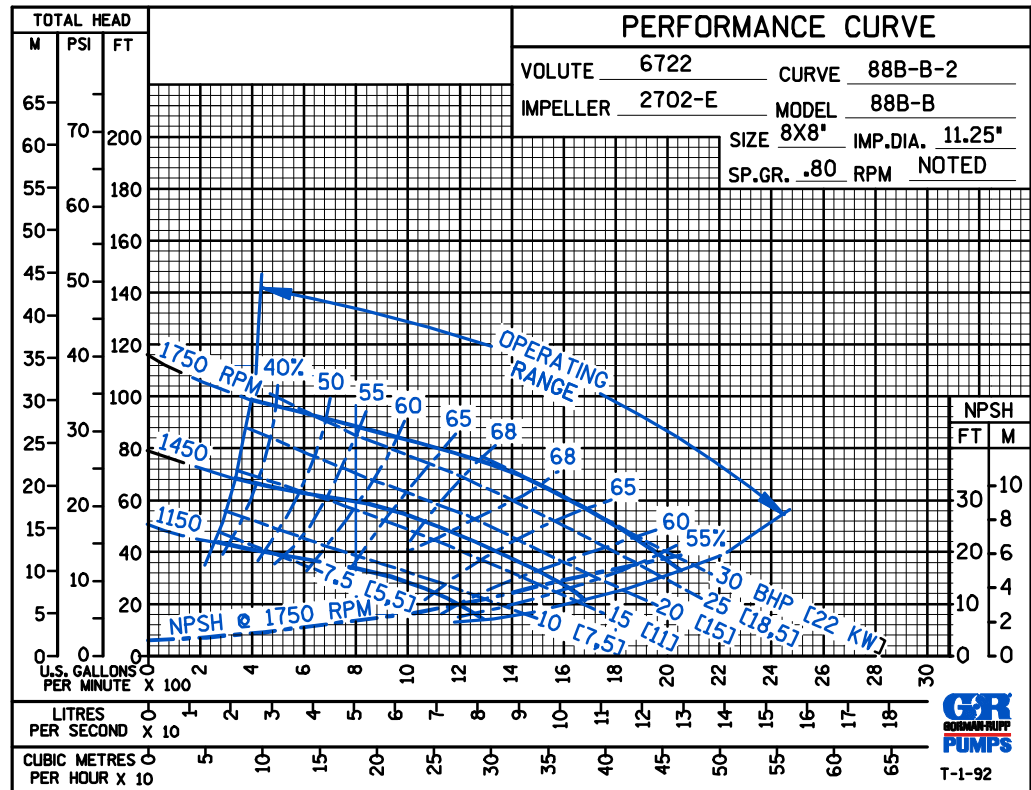
GORMAN-RUPP OF CANADA LIMITED • ST. THOMAS, ONTARIO, CANADA

Specifications Subject to Change Without Notice

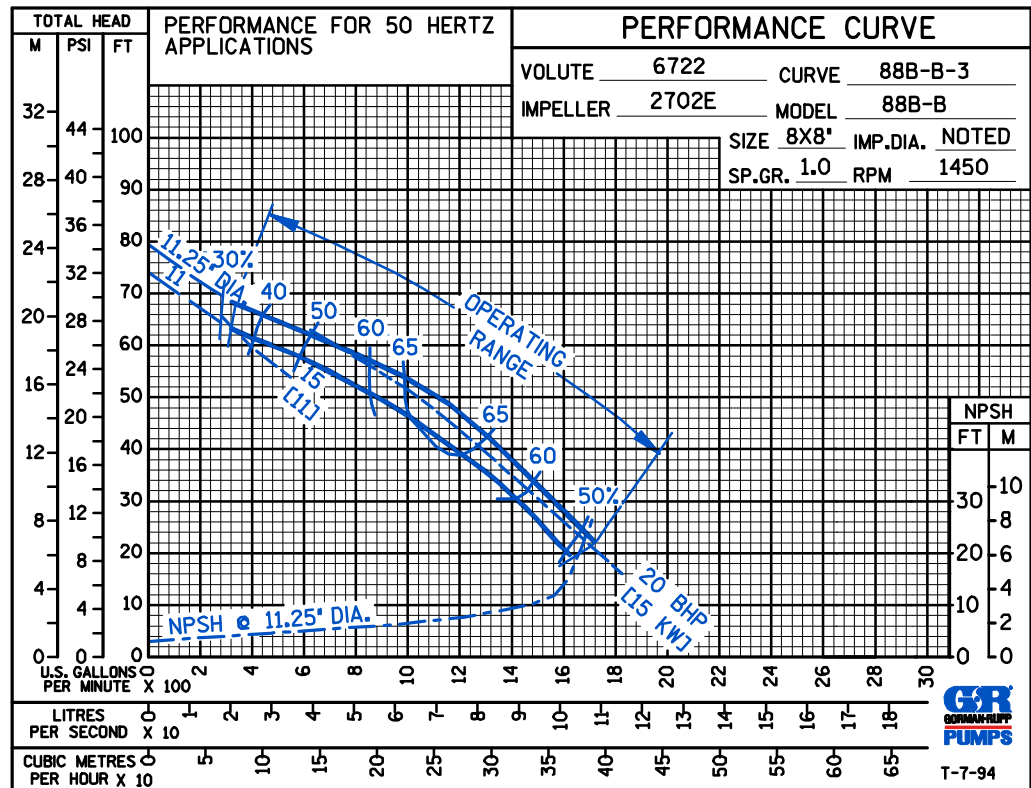
Printed in U.S.A.

A B C D E

PERFORMANCE  
BASED ON  
PETROLEUM



50 HERTZ  
PERFORMANCE  
BASED ON  
WATER



THE GORMAN-RUPP COMPANY • MANSFIELD, OHIO

GORMAN-RUPP OF CANADA LIMITED • ST. THOMAS, ONTARIO, CANADA

Specifications Subject to Change Without Notice

Printed in U.S.A.