

# SELF-PRIMING CENTRIFUGAL ELECTRIC PUMPS

## RB212

**ROBUSTA**  
Hydraulic System

**VIESSE**   
POMPE • ITALIA



The self-priming centrifugal pumps "Robusta" are designed to comply to the hardest and heavy duty applications, such as: building, emergency and industrial sectors. The open-blade double-curvature impeller, unique across the world, ensures a superior priming ability voiding the need of a foot valve installation.

The high thickness of the pump body and of the impeller blades, allow the handling of more abrasive fluids and large passage of solids.

### FEATURES

- ✓ EN-JL1030 cast iron construction according to UNI EN 1561 with modular body.
- ✓ Replaceable screw-less armoured internal volute in EN-JS1030 nodular cast iron according to UNI EN 1563
- ✓ Spheroidal cast iron impeller, designed with open-blade shape.
- ✓ Mechanical seal in high resistance hard metal.
- ✓ Large-size inspection hatches to facilitate cleaning and inspection.
- ✓ Standardised EN1092-1:2003 flanged inlet and outlet with built in threaded rod.

### VERSIONS

Code	RB212B	RB212A
<b>PUMP</b>		
RPM	2900	2900
P MAX (kW)	1.5	2.2
Q MAX (m <sup>3</sup> /h)	45	45
H MAX (m)	13	16
Ø Inlet/outlet (mm) Inlet / outlet	50 / 50	50 / 50
Ø Impeller (mm) - N. blades	110 - 3	125 - 3
Ø Seal (mm)	25	25
Free solids passage MAX size (mm)	25 x 23	25 x 23

### ELECTRIC SURFACE NORMALIZED MOTOR

IEC size - RPM - Poles	90S - 2900 - 2	90L - 2900 - 2
Power (kW)	1.5	2.2
Priming time from 4 m depth (s)	100	95
Nominal Current (A)	32	4.6
Voltage (V) - Frequency (Hz)	400 - 50	400 - 50
Oversized electric motor for monobloc version	Yes	Yes
Protection	IP55	IP55

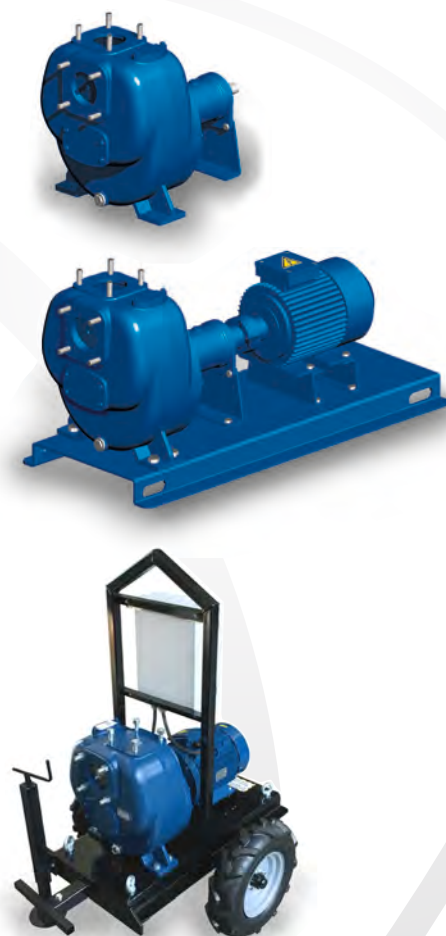
### PUMP SET UP AVAILABLE

Possible coupling versions (total weight)		
T: Monobloc (kg)	43	48
S: Bare shaft pump (kg)	29	29
S/T...: Complete pump assembly (kg)	73	77

### STANDARD MATERIAL OF CONSTRUCTION

Pump body	Cast Iron GJL250
Armored volute	Nodular cast iron GJS400
Impeller	Nodular cast iron GJS400
Mechanical Seal	Silicon Carbide / Viton®
Shaft	Steel C40
Elastomers	Nitrile

*Special metallurgies available on demand.*

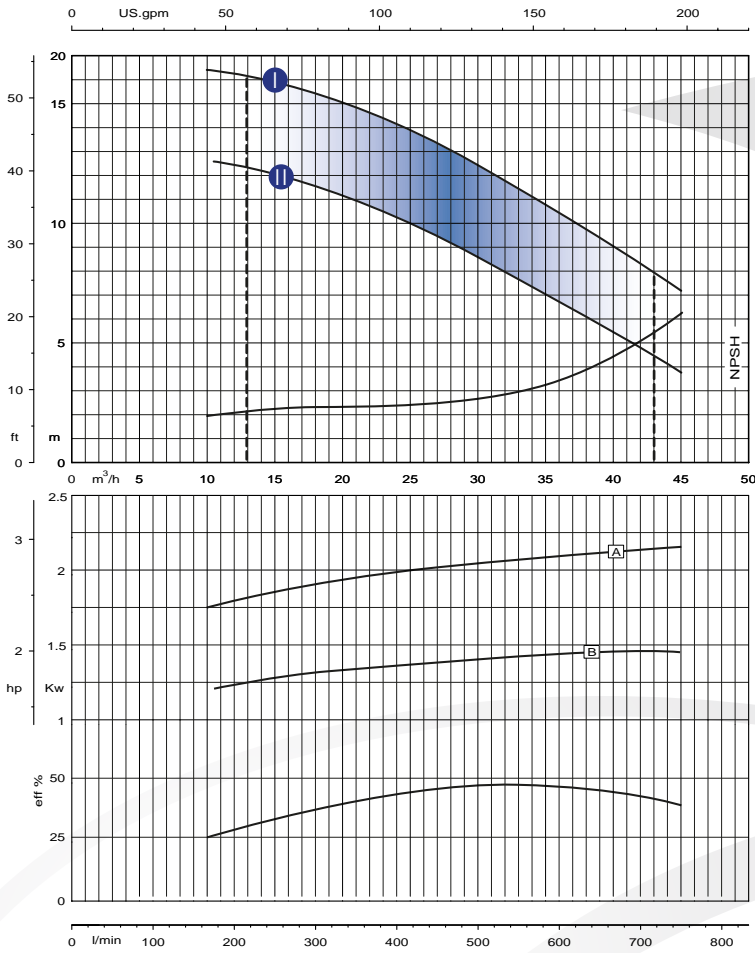


# SELF-PRIMING CENTRIFUGAL ELECTRIC PUMPS

## RB212



POMPE • ITALIA



### PUMP PERFORMANCE RANGE

I RB212A

II RB212B

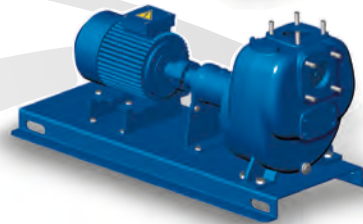
Performances are subjected to variations based on NPSH available.



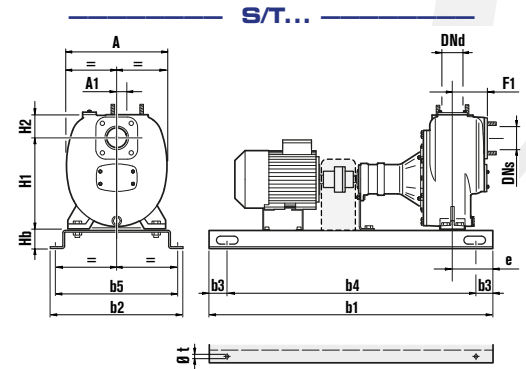
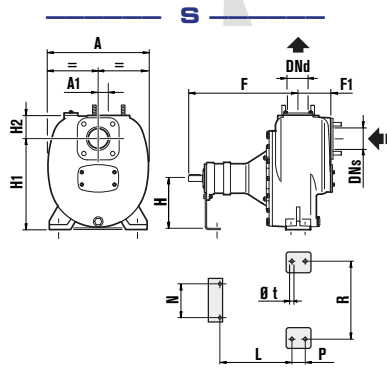
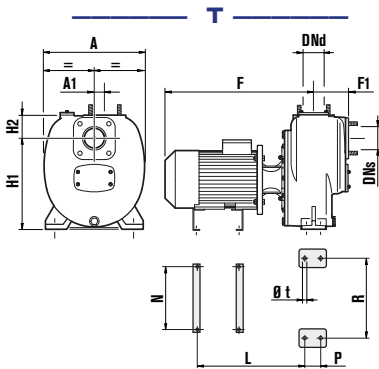
T MONOBLOC



S BARE SHAFT PUMP



S/T... BASE-FRAME AND COUPLING



DIMENSIONS mm	DNs	DNd	A	A1	b1	b2	b3	b4	b5	e	F	F1	H	H1	H2	Hb	L	N	P	R	Ø t	
RB212AGT	50	50	266	55							451	86		245	67		330	190	46	196	9	
RB212BGT	50	50	266	55							426	86		245	67		305	190	46	196	9	
RB212A / B GS	50	50	266	55							369	86	137	245	67		245	103	46	196	9	
RB212AGS/T22	50	50	266	55	800	360	130	540	320	86		86		245	67	60						17
RB212BGS/T15	50	50	266	55	800	360	130	540	320	86		86		245	67	60						17

All dimensions and data a.m. reported are indicative, not binding and subjected to modifications without notice.