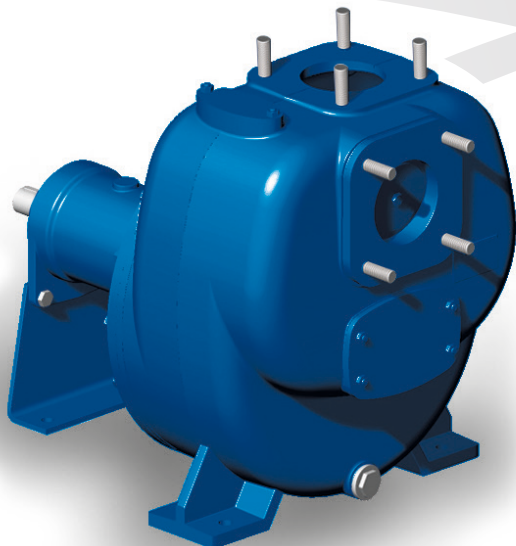


# SELF-PRIMING CENTRIFUGAL ELECTRIC PUMPS

## RB425

**ROBUSTA**  
Hydraulic System

**VIESSE**   
POMPE • ITALIA



The self-priming centrifugal pumps "Robusta" are designed to comply to the hardest and heavy duty applications, such as: building, emergency and industrial sectors. The open-blade double-curvature impeller, unique across the world, ensures a superior priming ability voiding the need of a foot valve installation.

The high thickness of the pump body and of the impeller blades, allow the handling of more abrasive fluids and large passage of solids.

### FEATURES

- ✓ EN-JL1030 cast iron construction according to UNI EN 1561 with modular body.
- ✓ Replaceable screw-less armoured internal volute in EN-JS1030 nodular cast iron according to UNI EN 1563
- ✓ Spheroidal cast iron impeller, designed with open-blade shape.
- ✓ Mechanical seal in high resistance hard metal.
- ✓ Large-size inspection hatches to facilitate cleaning and inspection.
- ✓ Standardised EN1092-1:2003 flanged inlet and outlet with built in threaded rod.
- ✓ Permanent grease lubricated ball bearings.

### VERSIONS

Code	RB425B	RB425A	RB425O
<b>PUMP</b>			
RPM	2900	2900	2900
P MAX (kW)	22	30	37
Q MAX (m <sup>3</sup> /h)	180	180	180
H MAX (m)	53	62	66
Ø Inlet/outlet (mm) Inlet / outlet	100 / 100	100 / 100	100 / 100
Ø Impeller (mm) - N. blades	220 - 3	240 - 3	250 - 3
Ø Seal (mm)	45	45	45
Free solids passage MAX size (mm)	50 x 24	50 x 24	50 x 24

### ELECTRIC SURFACE NORMALIZED MOTOR

IEC size - RPM - Poles	180M - 2900 - 2	200L - 2900 - 2	200L - 2900 - 2
Voltage (V) - Power (kW)	400 - 22	400 - 30	400 - 37
Priming time from 4 m depth (s)	45	40	43
Nominal Current (A)	41	55	67
Frequency (Hz)	50	50	50
Construction version/position	B3 / B5	B3 / B5	B3 / B5
Protection	IP55	IP55	IP55

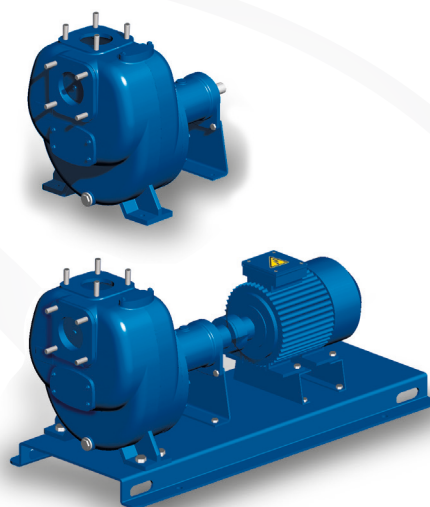
### PUMP SET UP AVAILABLE

Possible coupling versions (total weight)			
S: Bare shaft pump (kg)	134	134	134
S/T...: Complete pump assembly (kg)	362	414	440

### STANDARD MATERIAL OF CONSTRUCTION

Pump body	Cast Iron GJL250
Armored volute	Nodular cast iron GJS400
Impeller	Nodular cast iron GJS400
Mechanical Seal	Silicon Carbide / Viton®
Shaft	Steel C40
Elastomers	Nitrile

*Special metallurgies available on demand.*

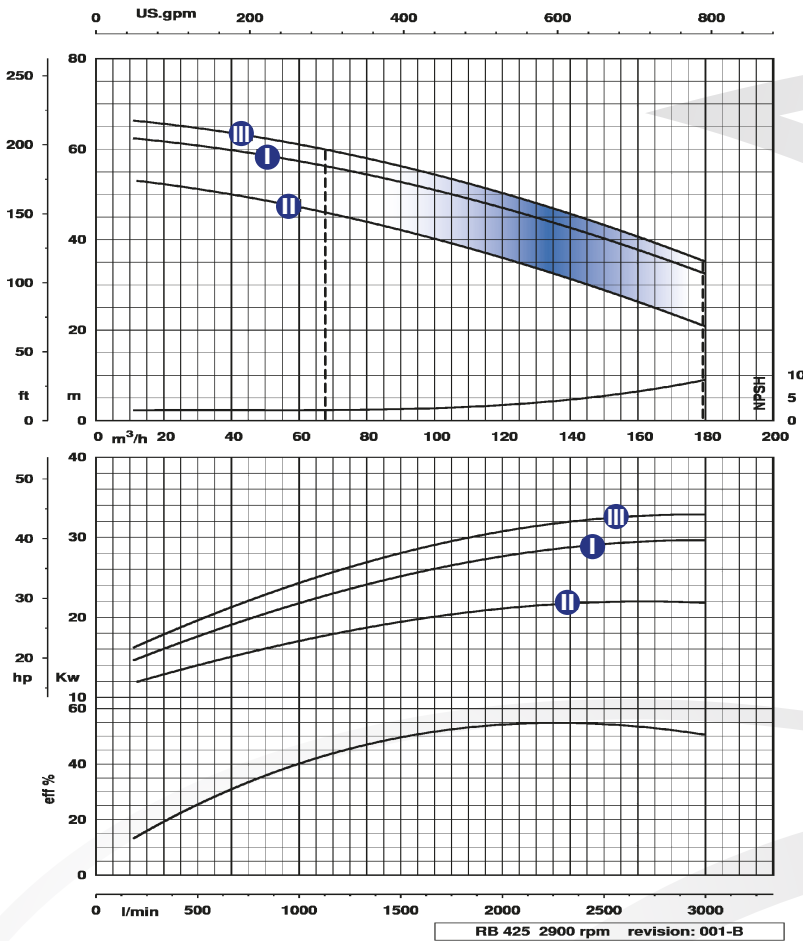


# SELF-PRIMING CENTRIFUGAL ELECTRIC PUMPS

## RB425



POMPE • ITALIA



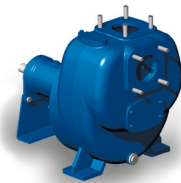
### PUMP PERFORMANCE RANGE

I RB425A

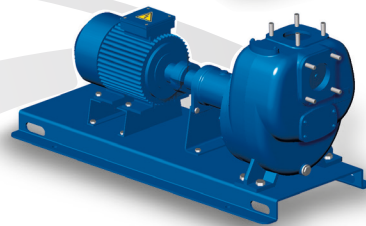
II RB425B

III **RB4250**

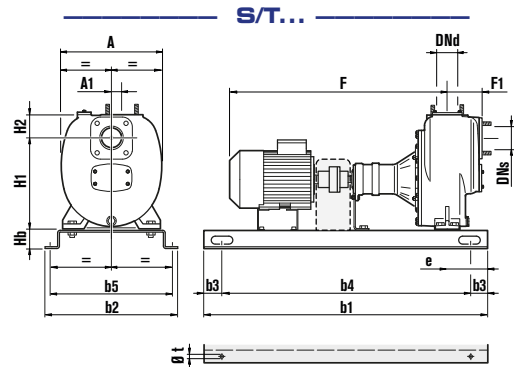
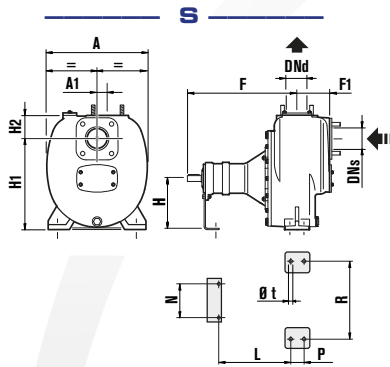
Performances are subjected to variations based on NPSH available.



S BARE SHAFT PUMP



S/T... BASE-FRAME AND COUPLING



DIMENSIONS mm	DNs	DNd	A	A1	b1	b2	b3	b4	b5	e	F	F1	H	H1	H2	Hb	L	N	P	R	Ø t
RB425A / B / O GS	100	100	442	46							562	103	225	400	102		384	202	56	350	16
RB425AGS/T302	100	100	442	46	1250	540	205	840	490	100	562	153		400	102	80					20
RB425BGS/T222	100	100	442	46	1250	540	205	840	490	100	562	153		400	102	80					20
RB4250GS/T372	100	100	442	46	1250	540	205	840	490	100	562	153		400	102	80					20

All dimensions and data a.m. reported are indicative, not binding and subjected to modifications without notice.