



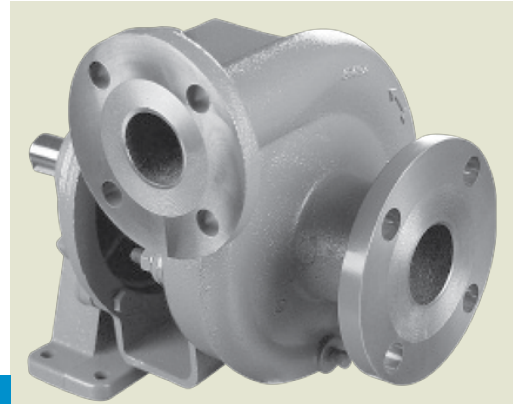
# PETROLEUM 300

## 3" X 2-1/2" End Suction Centrifugal Pump

Specifically designed for petroleum based fluids, MP's Petroleum 300 series is available in three distinct models: SO 300, SG 300 and SE 300.

Designed to close-couple to 215JP and 256JP frame electric motors, the models are also available as PumPAK®. Additional mounting options include pedestal.

Pump rotation in 90° increments.



### SPECIFICATIONS:

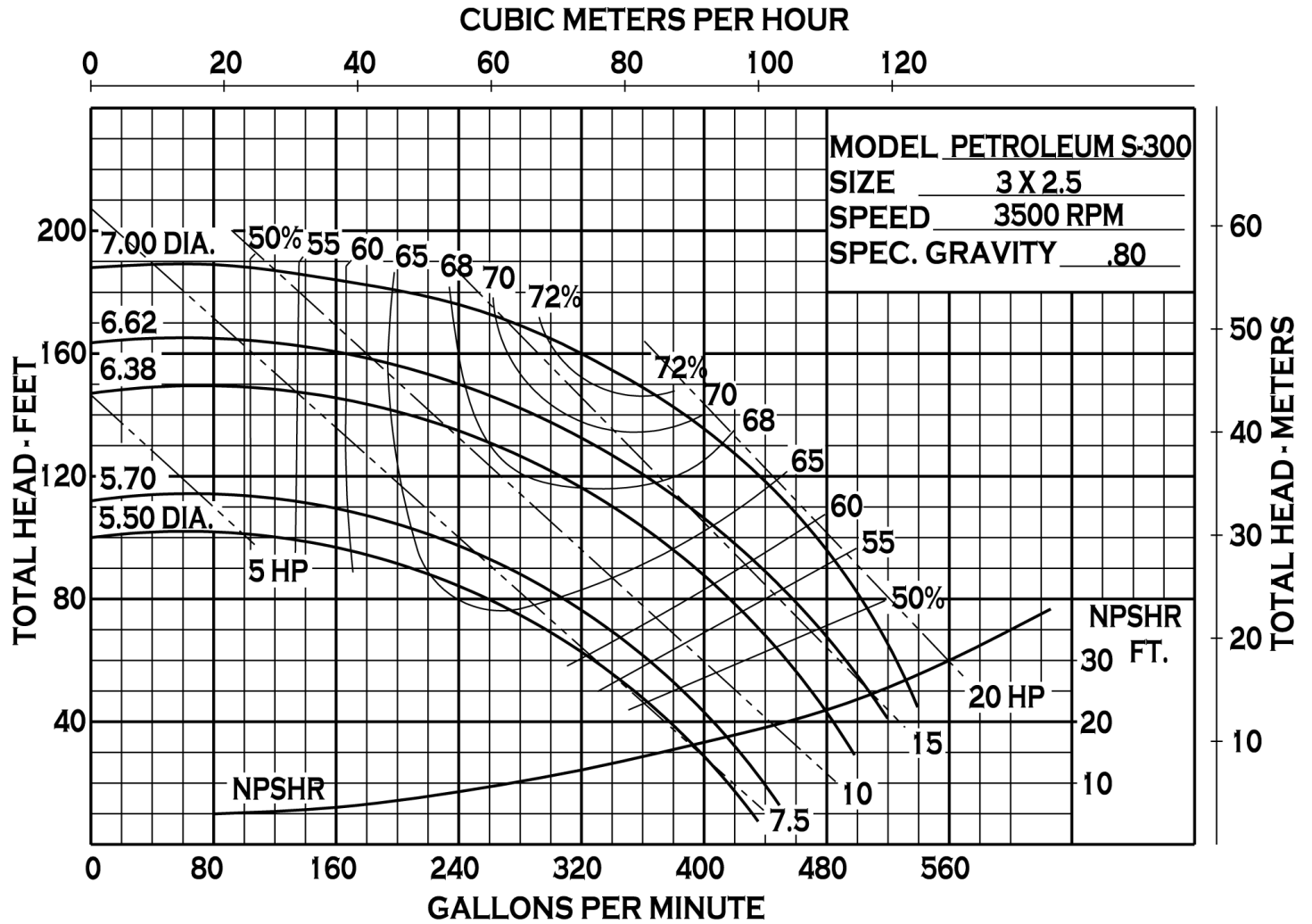
Suction And Discharge	3" x 2 1/2" 150# flange
Flow	Up to 540 GPM
Head Feet	Up to 190'
Impeller	SE 300 - enclosed cast iron, SG 300 - enclosed aluminum, SO 300 - enclosed cast iron
Motor	Up to 25
Drive Options	Close coupled 215JP, Close coupled 256JP, Hydraulic motor 1.16 cu. in., Hydraulic motor 1.58 cu. in., Pedestal, PumPAK® (without motor)
Seal	SE 300 . . Type 2 viton/carbon/silicon carbide/SS, SG 300. . Type 2 viton/carbon/silicon carbide/SS, SO 300. . Type 21 viton/carbon/niresist/SS
Compatible For	SE 300 - Ethanol, E 85, SG 300 - Gasoline, Avgas, Kerosene, Jet A/8, SO 300 - Biodiesel, Fuel Oil, Diesel
Mounting Options	SE 300 - Explosion proof Class 1 Group D, SG 300 - Explosion Proof Class 1 Group D, SO 300 - TEFC

### Application

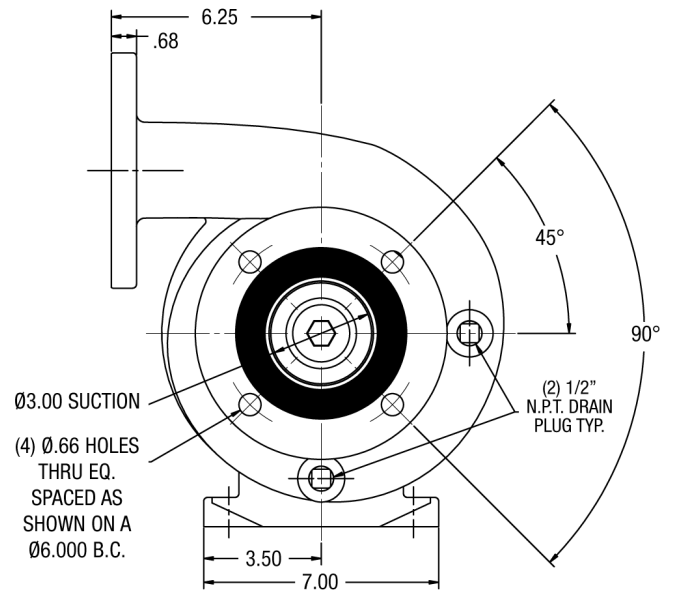
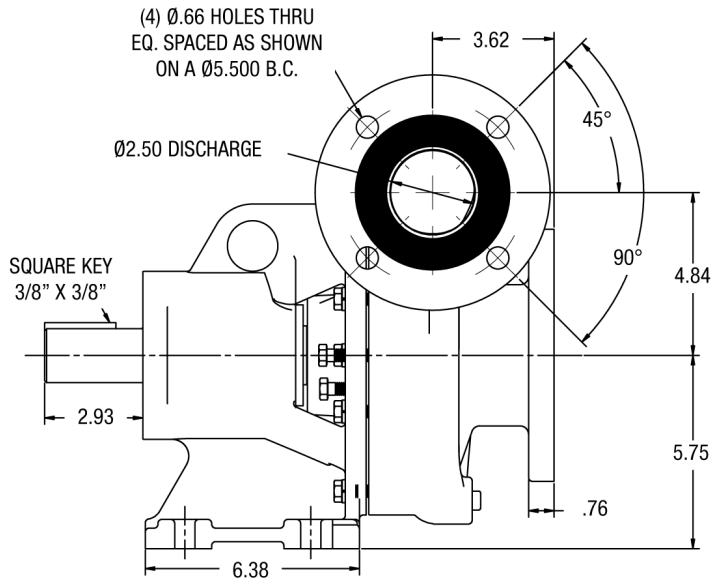
- Agricultural
- Industrial
- Marine
- OEM

### Features

- Non-spark clamp

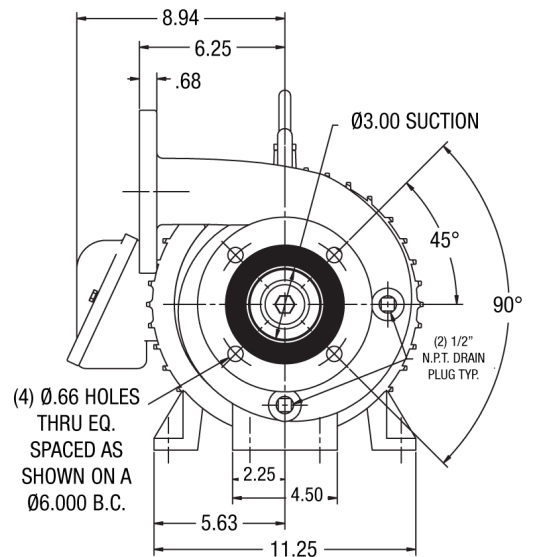
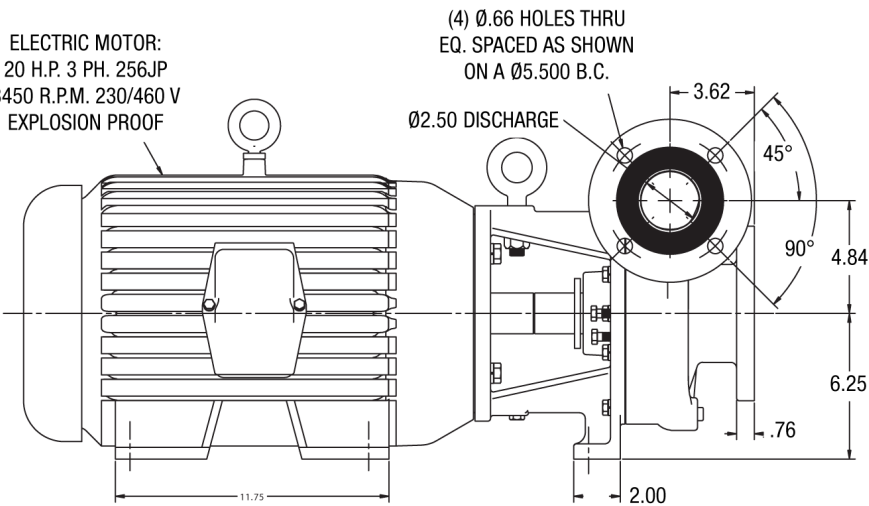


## PEDESTAL-MOUNT

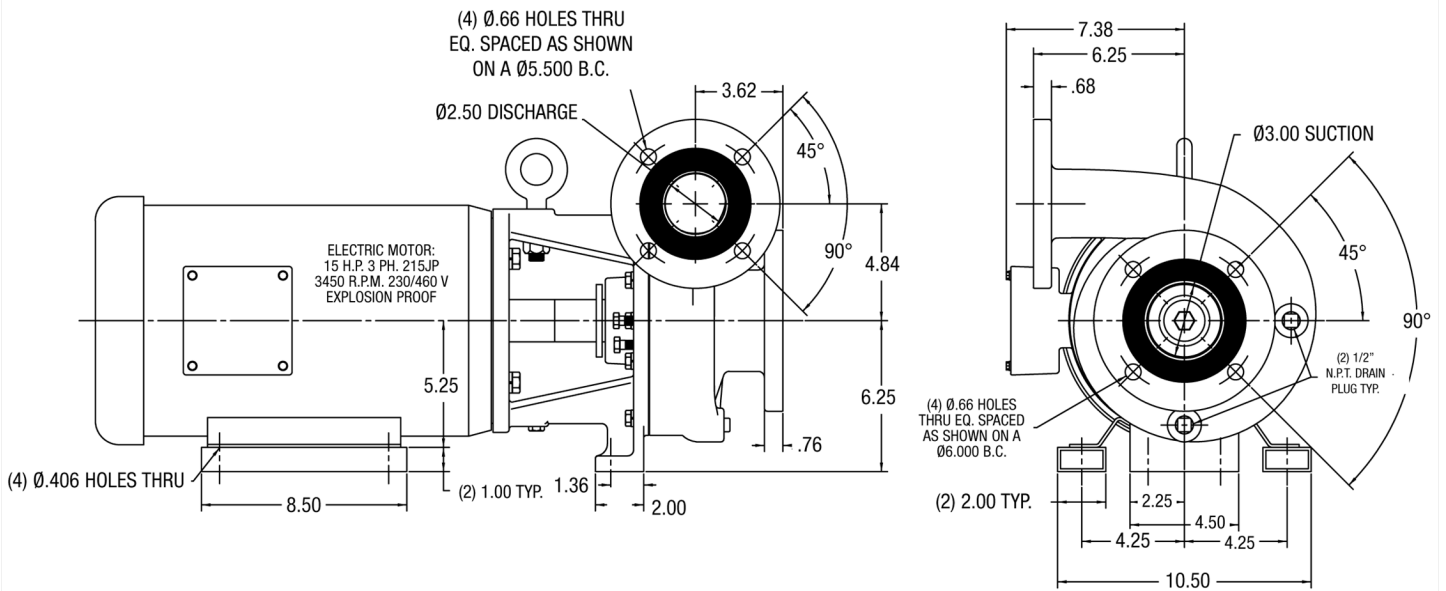


## CLOSE COUPLED - ELECTRIC MOTOR

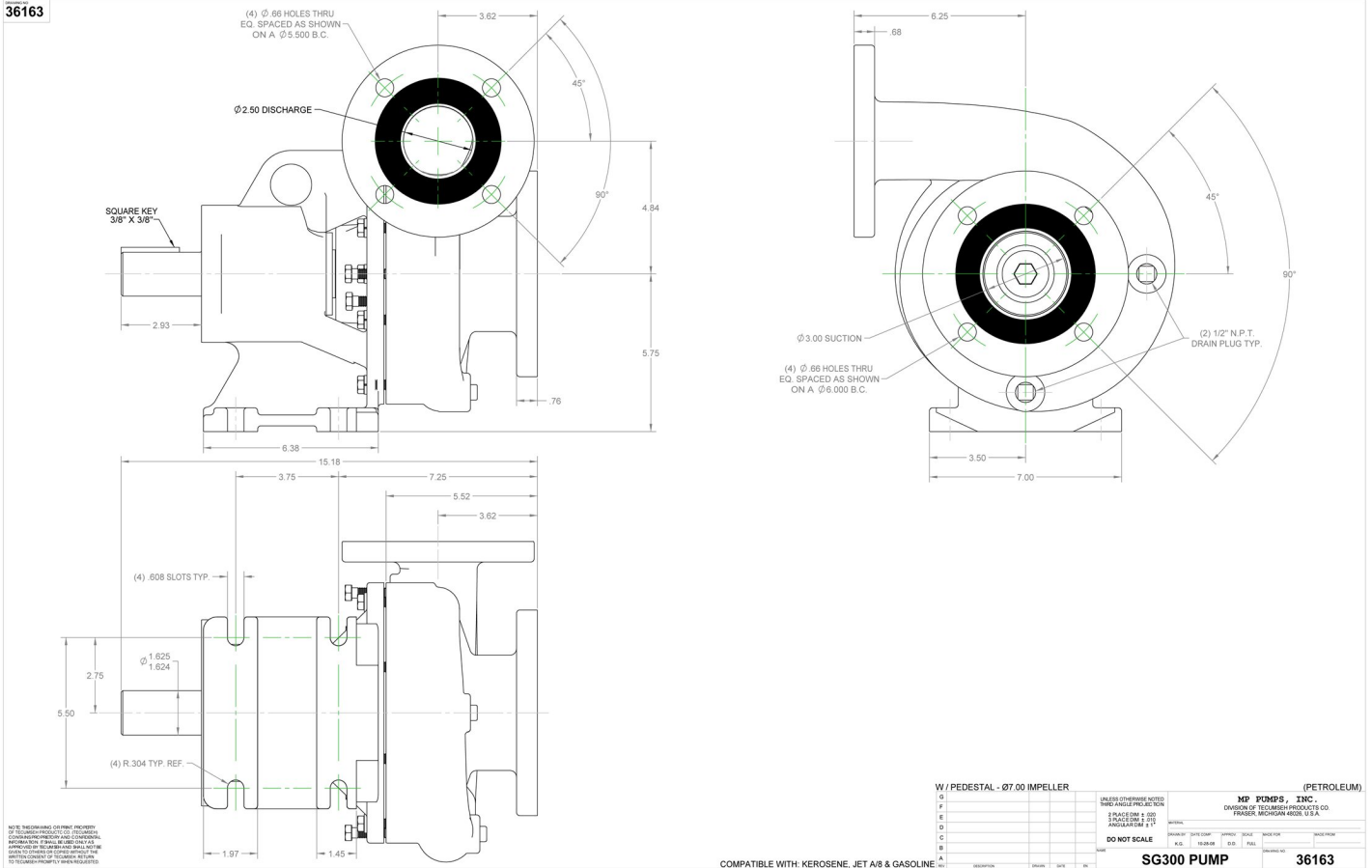
ELECTRIC MOTOR:  
20 H.P. 3 PH. 256JP  
3450 R.P.M. 230/460 V  
EXPLOSION PROOF

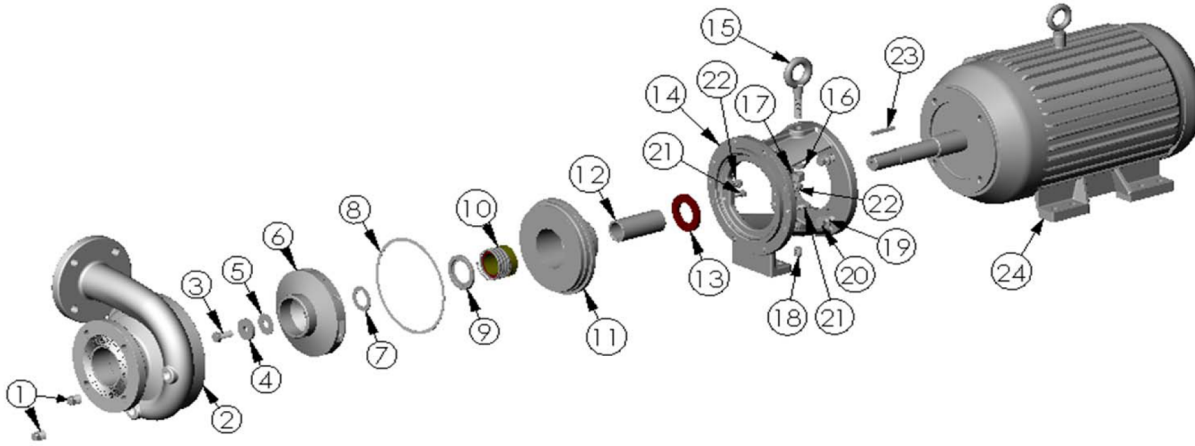


## CLOSE COUPLED - ELECTRIC MOTOR



36163





ITEM NO.	PART NO.	DESCRIPTION	QTY.	ITEM NO.	PART NO.	DESCRIPTION	QTY.
1	22656	PIPE PLUG - S.S. - 1/2" N.P.T.	2	13	26680	SLINGER - NEOPRENE	1
2	26733	HOUSING - DUCTILE IRON	1	14	26739	ADAPTER - CAST IRON	1
3	26674	SEAL BOLT - S.S. - 1/2-13	1	15	26686	EYE BOLT - STEEL	1
4	26675	WASHER - S.S.	1	16	26258	LOCKWASHER - STEEL - 5/8"	1
* 5	36156	GASKET - KLINGERSIL - C-4433	1	17	22461	HEXNUT - STEEL - 5/8-11"	1
6	26788	IMPELLER - CAST IRON - Ø7.00	1	18	21267	PIPE PLUG - S.S. - 1/4" N.P.T.	1
* 7	36157	GASKET - KLINGERSIL - C-4433	1	19	21254	LOCKWASHER - STEEL - 1/2"	4
* 8	26744	GASKET - KLINGERSIL - C-4433	1	20	21246	CAPSCREW - S.S. - 1/2-13	4
9	26972	SPRING HOLDER - S.S.	1	21	21274	CAPSCREW - S.S. - 3/8-16	14
* 10	35711	SEAL - 1.75" TYPE 2 - NRS	1	22	21266	LOCKWASHER - STEEL - 3/8"	10
11	26737	SEAL HOUSING - CAST IRON	1	23	26796	SQUARE KEY - S.S. - 1/4" X 1/4"	1
12	26678	SHAFT SLEEVE - S.S.	1	24	26805	ELE. MTR. - 20 H.P. - 3 PH. - 256JP 3450 R.P.M. - T.E.F.C.	1

\*- RECOMMENDED REPLACEMENT PARTS