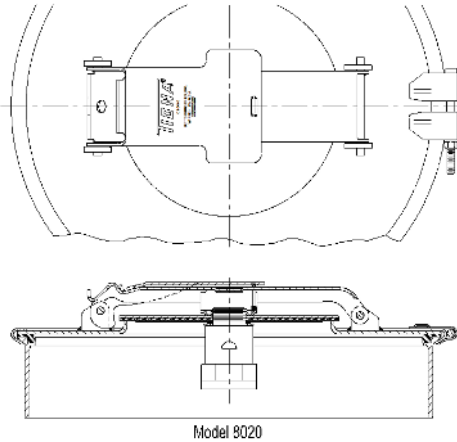




1800 Pennsylvania Ave. West Warren, PA 16365
 1-800-831-7160 | info@bettsind.com

20" Inspection Manhole with 10" Fill



- MODERN DESIGN
- CLEAN LINES
- LOW COST

Note: Not legal for DOT specification tanks.

Combining all the features of all full 20" manhole opening for inspection PLUS the 10" fill cap, Tiona Model No. 8020 is a real 2-in-1 value, offering both inspection and loading features in one husky unit. We pay more for top quality material but furnish it as standard equipment at competitive prices. Secondary Latch is standard on all assemblies.

FVA prefix includes 6238AL normal vent
 SPA prefix includes 3006AL vac. vent.
 SPS prefix includes 3006SS vac. vent.
 SVS prefix includes 6022SS breather vent.
 VPA prefix includes Vent Plug Aluminum.
 VPB prefix includes Vent Plug Zinc Plt. Steel.
 VPD prefix includes Vent Plug 316 Stainless.

Cover Plate, Fill Gasket Retainer, Shim Washer	Clamping Ring, Fill Cover, Strongback, Latch	Clamping Bolt and Washer	Clamping Bolt Nut	Vent	Wt. (lb.)	Assembly No.
Steel	Steel	Steel Zinc Plt.	Brass	Alum.	26.5	FVA8020SXB
Steel Zinc Plt.	Steel Zinc Plt.	Steel Zinc Plt.	Brass	Alum.	26.5	FVA8020BXB
Stnls 304*	Steel Zinc Plt.	Steel Zinc Plt.	Brass	Alum.	27.0	FVA8020GXB
Stnls 304	Stnls 304	Stnls 304	Stnls 304	Alum.	27.0	FVA8020CXB
Stnls 304	Stnls 304**	Stnls 304	Stnls 304	Alum.	27.0	FVA8020DXB

* Fill Gasket Retainer and Shims-Aluminum **Fill Cover Material-Stainless 316

NOTE: Inspection manhole assemblies, as listed above, have a 6238AL vent (prefix "FVA") and Buna-N gaskets (suffix "B"). For variation or additional vents see catalog Section 95 for proper prefix or assembly number. For variation in gasketing change last letter of suffix as follows.

Suffix "V" indicates Viton gasket

Suffix "W" indicates White Hypalon gasket

Suffix "T" indicates Teflon fill and collar gasket w/ White Hypalon backer

Manhole collars are available in aluminum, steel, and stainless steel. Please see parts page for correct numbers. When welding collars to tank, exercise care to insure collar remains flat and round.