

# Emergency Valve

## Aluminum Flat Seat Style

90° ELBOW

- Air or Cable Operated
- Groove or Flange Outlet
- Buna Urethane or Viton Seals

Betts flat seat style emergency valves combine Betts quality with an economical design. Valves feature aluminum construction with a specially designed seat disc to provide positive sealing. Shear section tested per TTMA RP84 and meets 49CFR178.345-8.

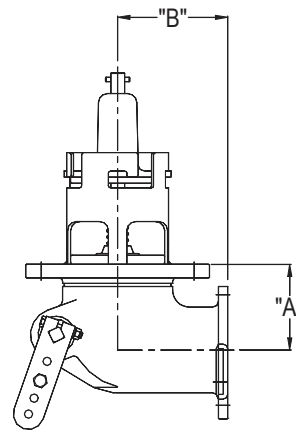
Air operated valves are provided with an external air cylinder to help prevent gasoline or other products from contaminating the air supply. The air cylinder is hard-coated aluminum with a polished stainless steel shaft. Cylinders have 1/8" NPT port for air connection and are supplied with a fusible plug installed.

Cable operated valves are supplied with a universal lever arm which provides up to 8 cable travel options to work with most operators. Lever arm is "E" Coated to provide exceptional corrosion resistance.

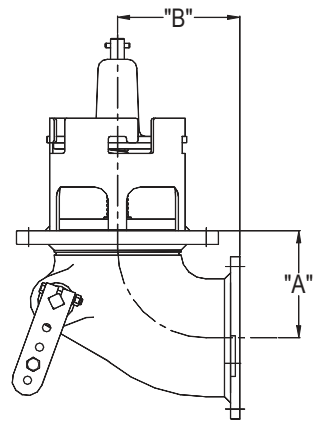
Left-hand valves are available with air cylinder or cable lever arm on opposite side of valve as shown at right. Add suffix -005 for left-hand option. Add suffix -004 for optional screen.

4" Valves are available with Stainless Trim, add suffix 010.

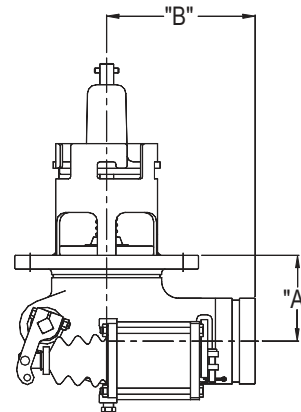
See section 30 Page 10A for parts list.



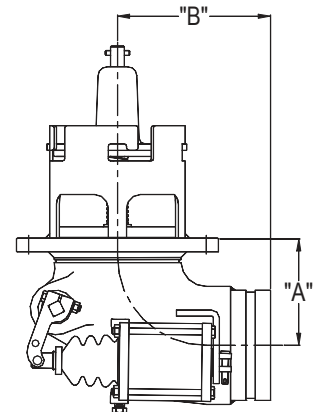
3in. CABLE / FLANGED



4in. CABLE / FLANGED



3in. AIR / GROOVED



4in. AIR / GROOVED

Size	*Assembly No.	Air/Cable	Outlet	Wt.	Dimensions		Inlet Flange		Outlet Flange	
					A	B	B.C.	Holes	B.C.	Holes
3"	EV46672ALB	Air	3" Grv	10.5	3.50"	6.06"	6.25"	6-9/16	N.A.	N.A.
	EV46673ALB	Cable	3" Grv	8.2						
	EV46670ALB	Air	3" Flg	10.5	3.50"	4.50"	6.25"	6-9/16	4.88"	8-7/16
	EV46671ALB	Cable	3" Flg	8.2						
4"	EV46435ALB	Air	4" Grv	12.7	4.38"	6.25"	7.25"	8-9/16	N.A.	N.A.
	EV46398ALB	Cable	4" Grv	10.4						
	EV46428ALB	Air	4" Flg	12.7	4.38"	5.00"	7.25"	8-9/16	5.88"	8-7/16
	EV46399ALB	Cable	4" Flg	10.4						

\*Specify Viton seals by substituting "V" for "B" in Assembly Number.

Force rating from TTMA RP86: 3" Valves:  $F_{b-max} = 21,035$  lb.

4" Valves:  $F_{b-max} = 15,500$  lb.

**CAUTION:** Never bottom load through emergency valves without first opening valve. Failure to do so may result in damage to the tank and/or valve.