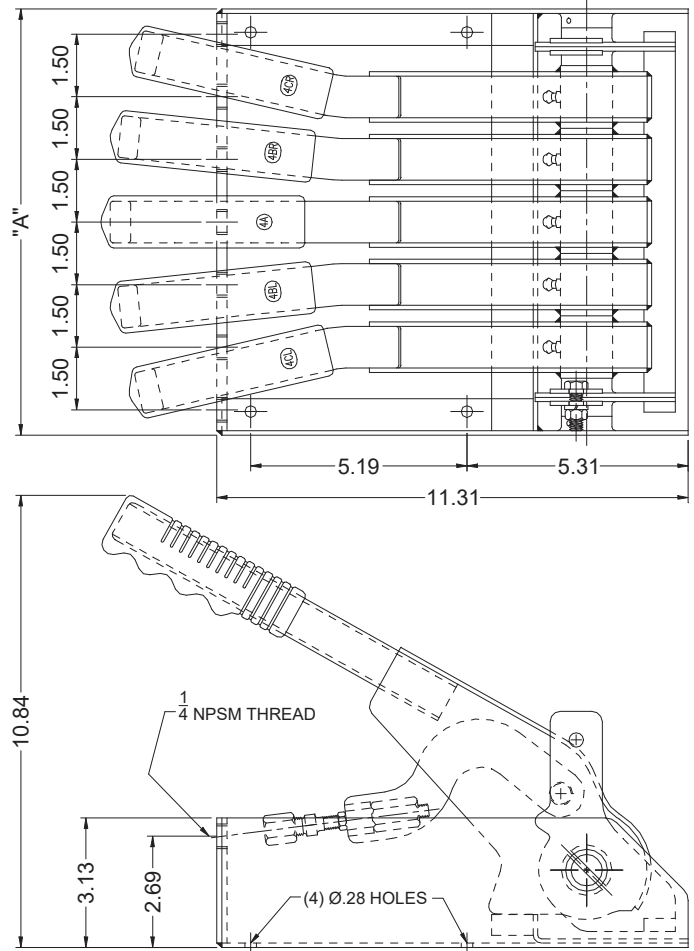
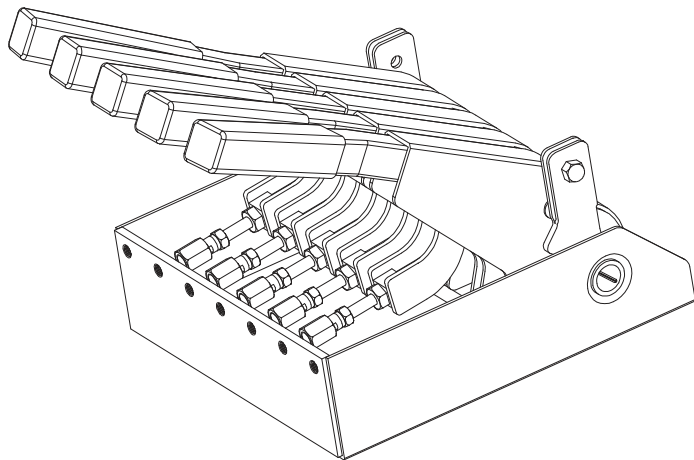


Mechanical Operator

DELUXE

- Heavy Duty Tubular Steel Levers
- Twice the Leverage of Universal Operators
- 2-1/2" Stroke
- Non-slip Cable Connectors
- Fusible Joint on Each Compartment



Betts Deluxe Mechanical operators function cable operated emergency valves from a central location on a cargo tank. Operators are available in any number of compartments from 1 up to 5. Each compartment is supplied with a fusible joint designed to melt at not more than 250° F. Non-slip cable connectors for each compartment allow cables to be cut to length after installation.

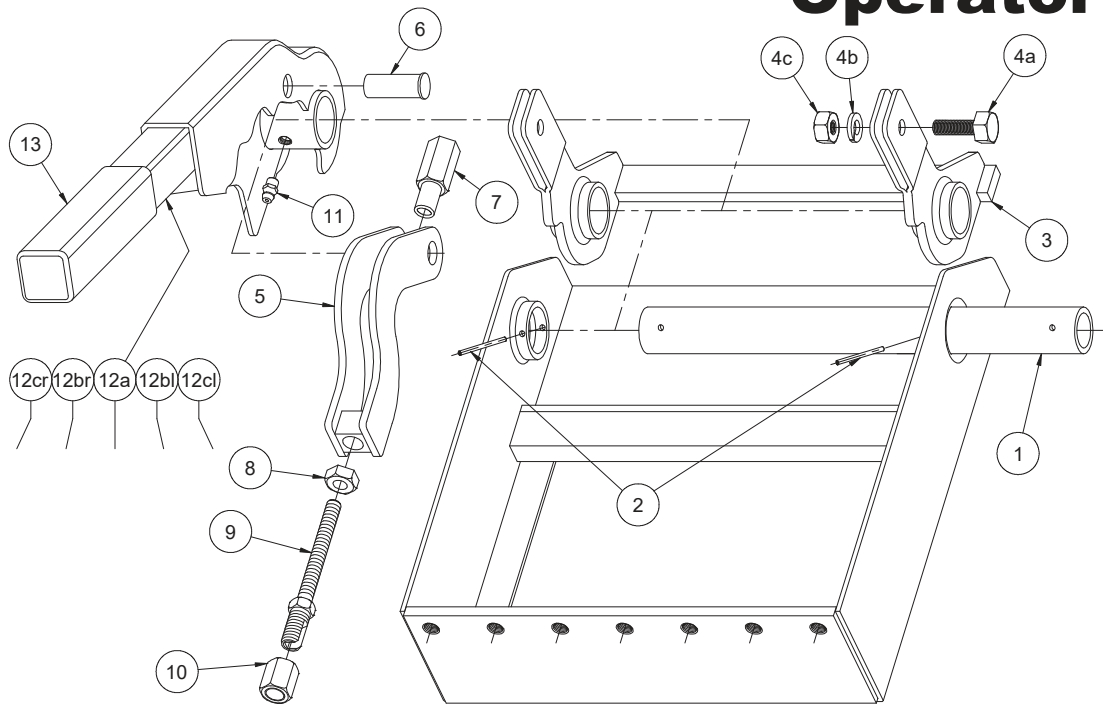
Deluxe Operators Provide a mechanical advantage of 6.5:1 or about twice that of universal operators. They also provide a longer stroke of 2-1/2". Emergency valves are held open by the over-center action of the lever assembly, thereby eliminating the need for springs and latches. Trip levers close all open valves when the remote control is tripped. Two trip levers allow for flexibility in locating remote control or for attaching two remote controls, if required.

Fabricated steel construction provides strength while keeping weight to a minimum. Heavy duty tubular steel levers provide for durability. Grease fittings in lever bushings and trip levers provided for lubrication.

No. of Compts.	Weight (lb)	Part Number	Dimension "A"
1	8.6	41185A	4-7/32
2	12.7	41185B	5-23/32
3	16.8	41185C	7-7/32
4	20.9	41185D	8-23/32
5	25.0	41185E	10-7/32

PARTS LIST

Deluxe Mechanical Operator



No.	Description	Material	Part No.				
			1 Compt.	2 Compt.	3 Compt.	4 Compt.	5 Compt.
1	Shaft	Brass	20790A	20790B	20790C	20790D	20790E
2	Roll Pin	Steel	9Q5816				
3	Trip Lever Assy.	Steel	20784A	20784B	20784C	20784D	20784E
4a	5/16-18 x 1" Bolt	Steel	9Q5829				
4b	5/16" Lock Washer	Steel	9Q5847				
4c	5/16" Nut	Steel	9Q5808				
5	Heavy Duty Dual Link	Steel	20716				
6	Link Clevis	Steel	10980				
7	Fusible Bushing Nut	Brass	19724BR				
8	Lock Nut	Steel	9Q5808A				
9	Adjusting Bolt	Steel	20040A*				
10	Clamping Nut	Steel	10268A				
11	Grease Fitting	Steel	9Z4871				
12a	Lever (center)	Steel	20725**	-	20725**	-	20725**
12bl	Lever (left hand)	Steel	-	41186L**	41186L**	41186L**	41186L**
12br	Lever (right hand)	Steel	-	41186R**	41186R**	41186R**	41186R**
12cl	Lever (left hand)	Steel	-	-	-	41187L**	41187L**
12cr	Lever (right hand)	Steel	-	-	-	41187R**	41187R**
13	Grip	Plastic	1856				

WARNING Use only genuine BETTS INDUSTRIES INC. replacement parts. Use of substitute parts can impair the proper function of this product.

Note: * Adjusting Bolt assembly 20040A001 includes items 7, 8, 9, and 10.

Note: ** Lever Assemblies (12a (bl, br, cl, cr)) include items 5, 6, and 11.



INDUSTRIES, INC. WARREN, PA.

Tel. (814) 723-1250 · Fax (814) 723-7030 · E-Mail: betts@bettsind.com · Web Site: www.bettsind.com

Aug 2005
Section 27 Page 1B