



# TWIN CROWN CONTROL SYSTEM

## MH Stainless Steel Centrifugal Pump



### GENERAL DESCRIPTION

The MH series is a new generation of horizontal single-stage volute pumps, with dimensions fully compliant with ISO 2858 standards and product design in accordance with ISO 5199 international standards.

MH pumps feature a cartridge-type seal, an optimized seal chamber, and an advanced bearing housing to ensure outstanding reliability, longer seal life, and easier maintenance.

The MH series pumps are designed for harsh environments, enhancing operational safety, supporting predictive monitoring, and minimizing downtime.

The MH series pumps have been completely redesigned, focusing on improved performance, durability, and reduced total cost of ownership (TCO) to meet the demands of modern industrial applications.

### APPLICATION

- ▶ Chemical and petrochemical industries

---

- ▶ Pharmaceutical industry

---

- ▶ Paint industry

---

- ▶ Plastic and rubber industries

---

- ▶ Ferrous and non-ferrous metal industries

---

- ▶ Paper and cellulose industries

---

- ▶ Textile industry

---

- ▶ Food and drink industries

---

### ADVANTAGE

1. Integrated mechanical seal design (shaft sleeve and mechanical seal combined) for compact structure and simplified maintenance.

---

2. Enlarged seal cavity (cooling performance improved, clearance  $\geq 5\text{mm}$ ) to enhance seal life and heat dissipation efficiency.

---

3. Advanced bearing housing: supports temperature and vibration sensors; features separate bearing seats.

---

4. Automatic oiling valve for lubrication and venting; double-function design allows both oil injection and venting, preventing ingress of water during outdoor use.

---

5. Equipped with lifting lugs for easier installation and maintenance.

---

6. 3Cr13 stainless steel shaft for improved strength, corrosion resistance, and durability.

---



TWIN CROWN CONTROL SYSTEM

# CONSTRUCTION DRAWING

Customer

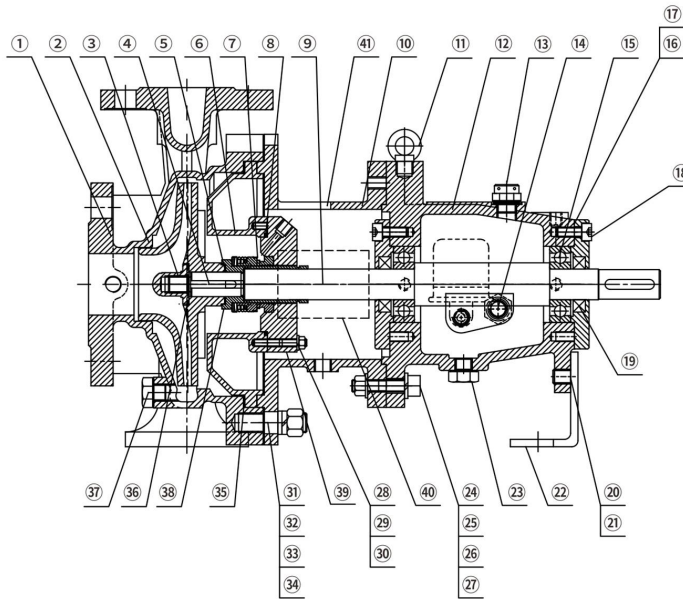
TWIN CROWN OHLFIELD EQUIPMENT L.L.C

Model

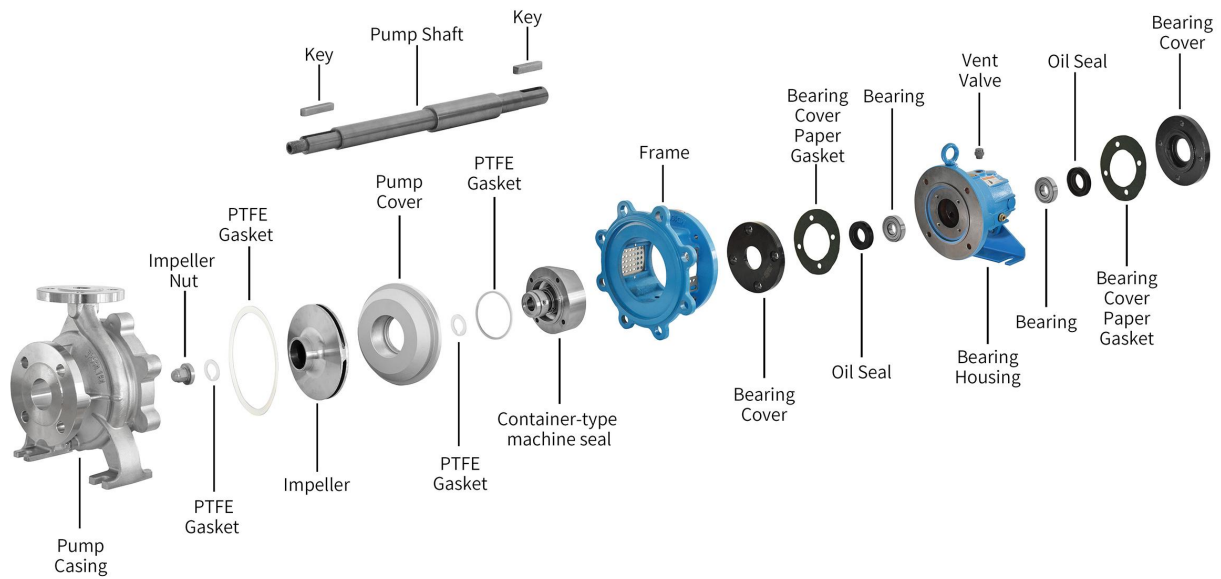
MH125-100-200/2

Date

2026-5-26



Item	Description	Item	Description
①	Pump Casing	②②	Support
②	Impeller	②③	Plug
③	Impeller Nut	②④	Hex Head Screw
④	Key	②⑤	Flat Washer
⑤	PTFE Gasket	②⑥	Nut
⑥	Pump Cover	②⑦	Spring Washer
⑦	Mechanical Seal	②⑧	Stud Bolt
⑧	PTFE Gasket	②⑨	Flat Washer
⑨	Pump Shaft	③⑩	Nut
⑩	Frame	③①	Stud Bolt
⑪	Lifting Lug	③②	Nut
⑫	Bearing Housing	③③	Spring Washer
⑬	Vent Valve	③④	Flat Washer
⑭	Oil Sight Glass	③⑤	PTFE Gasket
⑮	Bearing	③⑥	PTFE Gasket
⑯	Bearing Cover	③⑦	Hex Plug
⑰	Paper Gasket	③⑧	Shaft Sleeve
⑱	Hex Socket Bolt	③⑨	Mechanical Seal Cover
⑲	Oil Seal	④①	Side Safety Guard
⑳	Hex Head Bolt	④②	Top Safety Guard
㉑	Flat Washer		



TWIN CROWN OIL FIELD EQUIPMENT L.L.C  
DUBAI, U.A.E

WEBSITE : [www.twincrown.com](http://www.twincrown.com) E-MAIL : [sales@twincrown.com](mailto:sales@twincrown.com)

TEL.: +971 4 258 4211 MOB. +971 52 888 8584 / +971 50 457 9978

## COMPARISON CHART

Customer

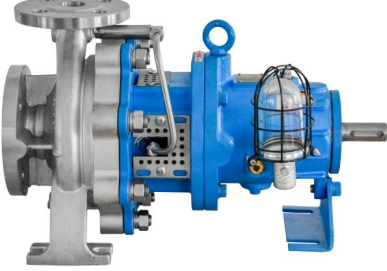
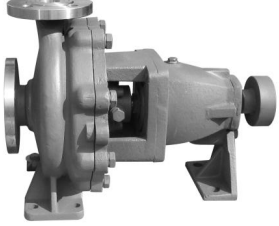






TWIN CROWN OHLFIELD  
EQUIPMENT L.L.C

Model

MH125-100-200/2

Date

2026-5-26

Feature	<b>MH Series (New Generation)</b> 	<b>IH Series (Legacy)</b> 
 <b>Mechanical Seal</b>	<b>Cartridge Seal</b> <b>Easier, faster, and more reliable installation and replacement.</b> Reduces maintenance downtime and human error.	Standard Seal
 <b>Seal Chamber</b>	<b>Enlarged Chamber (Gap: ≥5mm)</b> <b>Superior cooling and longer seal life, especially in demanding duties, reducing failure rates.</b>	Standard Size (Gap: ≥2-3mm)
 <b>Bearing Housing</b>	<b>Standard sensor ports, standard oil cup, split design with collection groove.</b> <b>Ready for condition monitoring, improved lubrication management, and higher operational reliability.</b> No need for costly customization.	Customized sensor/oil cup.
 <b>Vent Valve</b>	<b>Auto-vent with integrated safety function</b> <b>Enhanced protection for outdoor use; prevents water ingress, ensuring bearing lubricant integrity.</b>	Standard auto-vent (risk of water ingress outdoors).
 <b>Lifting Lugs</b>	<b>Integrated Lifting Lugs</b> <b>Safer and easier installation and handling, improving workplace safety and reducing rigging time.</b>	Not Available
 <b>Shaft Material</b>	<b>3Cr13</b> <b>Increased corrosion resistance and mechanical strength, leading to a longer-lasting, more robust pump shaft.</b>	2Cr13

The MH series is not merely an upgrade but a comprehensive redesign focused on Total Cost of Ownership (TCO). By incorporating features that enhance reliability, simplify maintenance, and enable predictive monitoring, the MH pump delivers significantly reduced downtime, lower maintenance costs, and greater operational safety compared to the legacy IH series. It is the optimal choice for modern, efficiency-driven industrial operations.



TWIN CROWN CONTROL SYSTEM

**DATA SHEET**

Customer

TWIN CROWN OHLFIELD  
EQUIPMENT L.L.C

Tag Number

Date

2026-5-26

Project

**PERFORMANCE TEST STANDARD**

Rated Flow (m <sup>3</sup> /h)	156
Rated Head (m)	40
Rated Power (kW)	18.27
Rated Speed (rpm)	2900
Rated Efficiency (%)	72
Type of Impeller	Close
Performance Test Standard	ISO9906:2012
Other Remarks	

**MATERIALS**

Casing	Cast Steel
Impeller	SS304
Shaft	3Cr13
Gasket	F4
Mechanical Seal	Graphite Vs Sic, Viton
Bearing	Bearing Steel GCr15
Rigid Steel Baseplate Steel	Steel Plate
Motor Housing	Cast Iron
Other Remarks	

**PUMP INSTALLATION**

Location	Indoor
Pump Version	Horizontal
Flange Standard	HG/T 20592-2009
Inlet	150 mm, PN16, RF, End
Outlet	100 mm, PN16, RF, Top
Pump Design Pressure	PN16
Coupling Type	Flexible Coupling
Pump Rotation	CW (viewed from drive end)

**GENERAL INFORMATION**

Model	MH125-100-200A/2
Type of Pump	Horizontal Centrifugal Pump
Pump Operating Mode	Continuous

**PUMP MEDIUM INFORMATION**

Liquid	Diesel, gasoline, jet fuel
Operating Temperature (°C)	Ambient
Denisty (g/cm <sup>3</sup> )	0.8
Viscosity (cps)	1
Soilds (mm)	0
Solids Concentration (%vol)	/
Other Remarks	

**SEAL SYSTEM**

Type of Seal	Cartridge Single Mechanical Seal
Seal Brand	
Type of Flushing	PLAN 01
Seal Faces-Rotating Ring	Sic
Seal Faces-Stationary Ring	Graphite
Elastomers	/
Metallic Components	SS304
Spring Type	Single Spring
Other Remarks	

**BEARINGS AND LUBRICATION**

Item	DE Bearing	NDE Bearing
Bearing Type	Deep Groove Ball Bearing	Deep Groove Ball Bearing
Model Number	6307	6307
Brand	HRB	HRB
Lubrication Method	Oil Lubrication	Oil Lubrication
Lubricant (Oil) Type	SHELL TELLUS OIL T68 (Ambient Temperature: 0~40degree)	SHELL TELLUS OIL T68 (Ambient Temperature: 0~40degree)

**SCOPE OF SUPPLY**

<input checked="" type="checkbox"/> Bare Pump	<input checked="" type="checkbox"/> Coupling	<input checked="" type="checkbox"/> Coupling Guard	<input type="checkbox"/> Mating Flange with Gasket and Bolts
<input type="checkbox"/> With Oil Cup	<input checked="" type="checkbox"/> Electric Motor	<input checked="" type="checkbox"/> Standard Baseplate	<input type="checkbox"/> Baseplate with Drip
<input type="checkbox"/> Grouted Baseplate	<input type="checkbox"/> Foundation Bolt	<input type="checkbox"/> Plywood Case Package	<input type="checkbox"/> Control Panel
<input type="checkbox"/> Pressure Transmitter for Pump Casing	<input type="checkbox"/> Pressure Gauge for Pump Casing	<input type="checkbox"/> Vibration Sensor for DE Bearing	<input type="checkbox"/> Temperature Sensor for DE Bearing
<input type="checkbox"/> Temperature Gauge for DE Bearing	<input type="checkbox"/> Vibration Sensor for NDE Bearing	<input type="checkbox"/> Temperature Sensor for NDE Bearing	<input type="checkbox"/> Temperature Gauge for NDE Bearing
Other Remarks:			

TWIN CROWN OIL FIELD EQUIPMENT L.L.C  
DUBAI, U.A.EWEBSITE : [www.twincrown.com](http://www.twincrown.com) E-MAIL : [sales@twincrown.com](mailto:sales@twincrown.com)  
TEL.: +971 4 258 4211 MOB. +971 52 888 8584 / +971 50 457 9978



TWIN CROWN CONTROL SYSTEM

## DATA SHEET

Customer

TWIN CROWN OHLFIELD  
EQUIPMENT L.L.C

Tag Number

Date

2026-5-26

Project

### ENVIRONMENTAL CONDITIONS

Ambient Temperature (°C)	-20~40
Altitude Above Sea Level (m)	<1000m

### MOTOR DRIVE DATA

Motor	YBX3
Motor Brand	
Frame Size	YBX3-200L1-2
Rated Power (kW)	30
Number of Poles	2
Frequency (Hz)	50
Rated Voltage (V)	380
Power Supply	380 V, 50 Hz, 3 phase
Rated Speed (rpm)	2900
Rated Current (A)	54.9
Motor Efficiency (%)	93.3
Insulation Class	F
IP Class	IP55
Working Method	S1
Cooling System	IC411- Self Ventilated, surface cooled
Voltage Tolerance (%)	±5%
Noise Level (dB(A))	90
Explosion-Proof Grade	ExdIIBT4
Standard	IEC
Energy efficiency standards	IE3
Phase Number	3
Terminal Box Position	Top
Installation Location	Indoor
Control Panel	Without
Other Remarks	With ATEX certificate

TWIN CROWN OIL FIELD EQUIPMENT L.L.C  
DUBAI, U.A.E

WEBSITE : [www.twincrown.com](http://www.twincrown.com) E-MAIL : [sales@twincrown.com](mailto:sales@twincrown.com)  
TEL.: +971 4 258 4211 MOB. +971 52 888 8584 / +971 50 457 9978



TWIN CROWN CONTROL SYSTEM

# PERFORMANCE CURVE

Customer

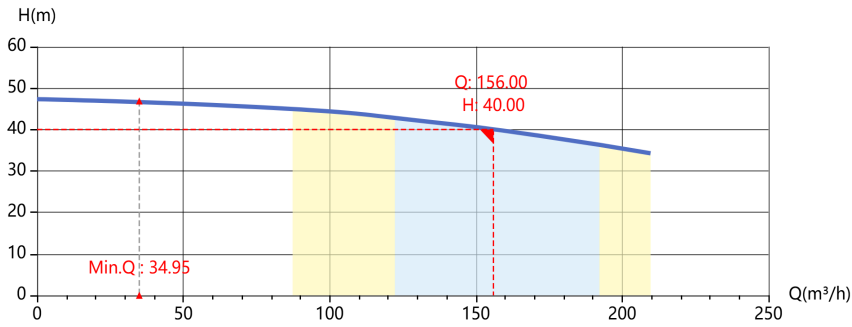
TWIN CROWN OHLFIELD EQUIPMENT L.L.C

Model

MH125-100-200/2

Date

2026-5-26



Curve Annotation:

▼ : Selected Point

■ : POR (Perferred Operating Range)

■ : AOR (Allowable Operating Region)

▲ : Minimum Flow Point

Liquid: Diesel, gasoline, jet fuel

Liquid Density: 0.8 g/cm<sup>3</sup>

Viscosity: 1 cps

Impeller: 194.86 mm

Rated Speed: 2900 rpm

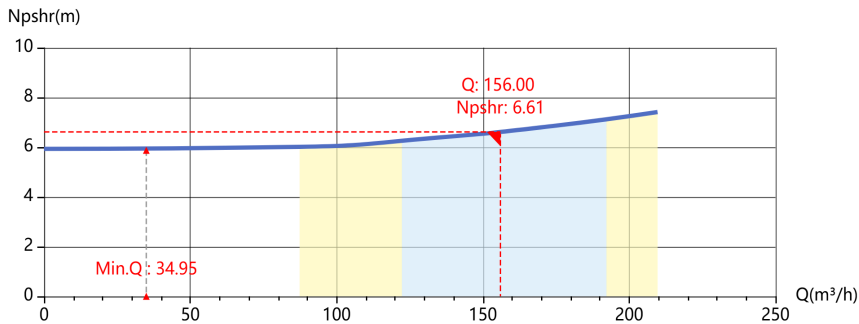
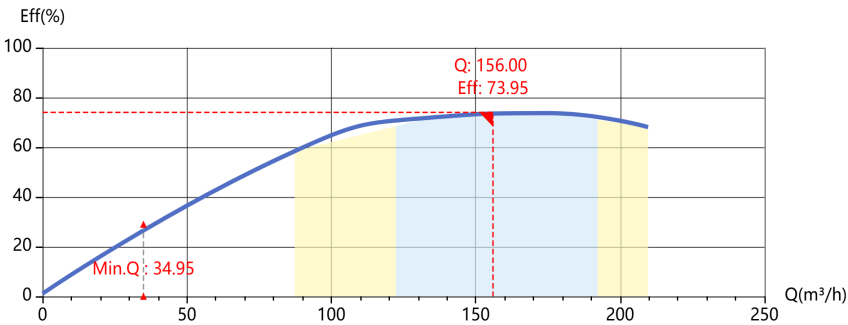
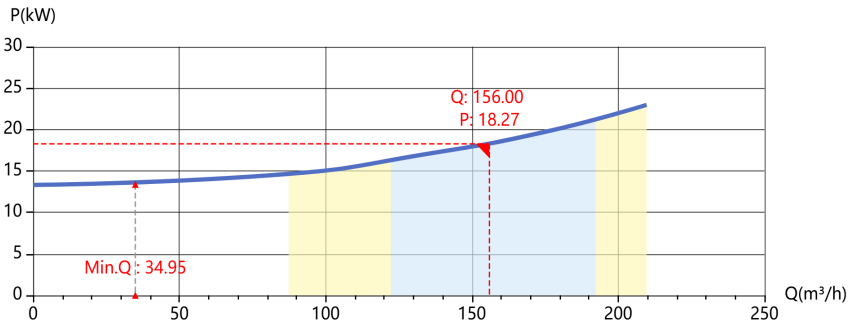
Rated Flow: 156 m<sup>3</sup>/h

Rated Head: 40 m

Rated Power: 18.27 kW

Rated Efficiency: 73.95 %

NPSHr: 6.61 m



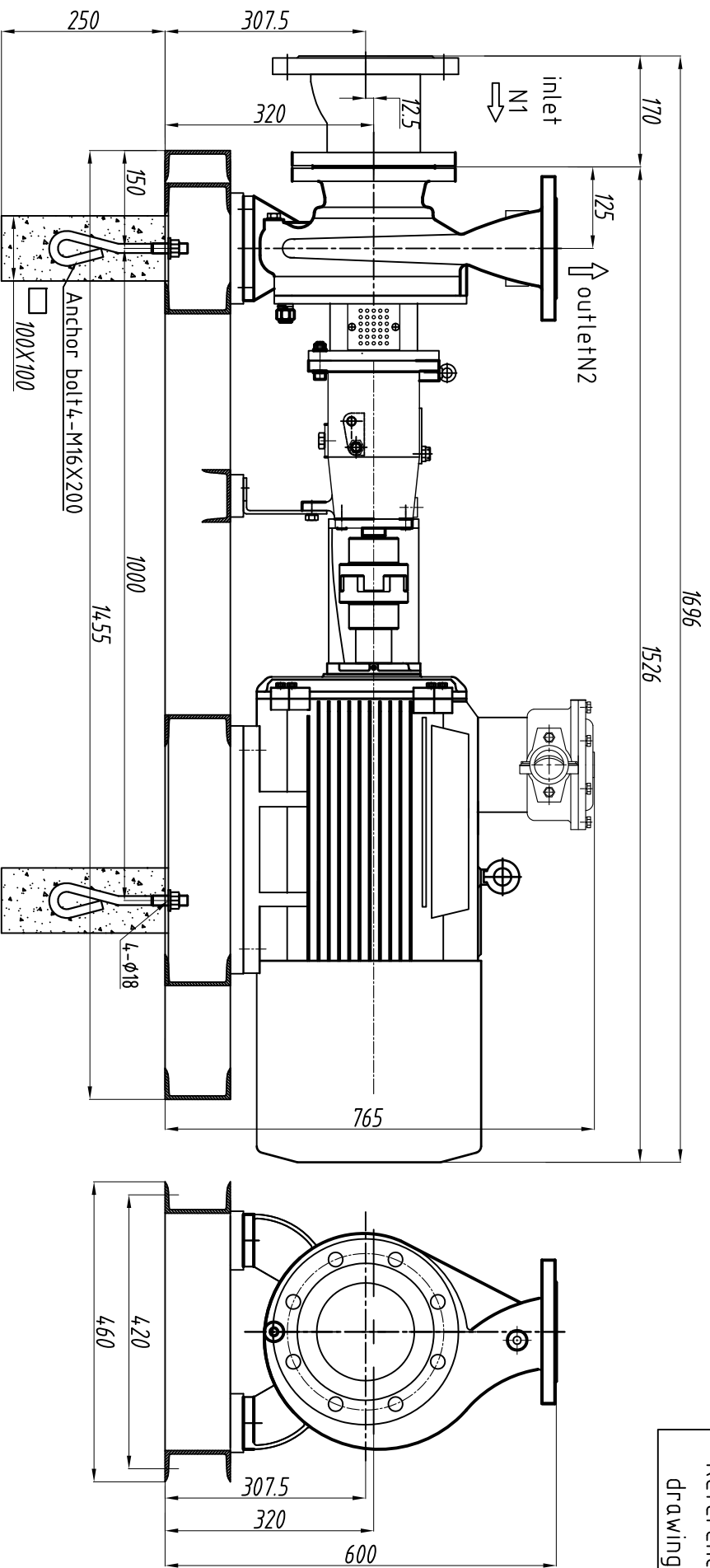
Sales Information: For Reference Only

TWIN CROWN OIL FIELD EQUIPMENT L.L.C  
DUBAI, U.A.E

WEBSITE : [www.twincrown.com](http://www.twincrown.com) E-MAIL : [sales@twincrown.com](mailto:sales@twincrown.com)

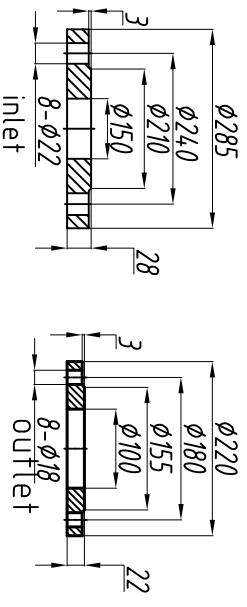
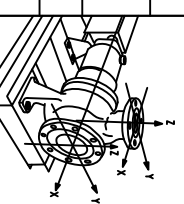
TEL.: +971 4 258 4211 MOB. +971 52 888 8584 / +971 50 457 9978

Reference drawing



Pipe orifice permissible load

Table of pipe connection		DN150 Inlet		DN100 Inlet	
serial number	Connection Size Standards	(N) Force	(Nxm) Moment	(N) Force	(Nxm) Moment
N1	HG/T20592 DN150 PN16	4500	2500	3000	1750
N2	HG/T20592 DN100 PN16	4050	1750	2700	1250
		5000	2050	3350	1450



Date	
Draw	
Audit	
Ratify	

Installation size chart

pump type	MH125-100-200
Motor model	Y200L:30KW-2



TWIN CROWN CONTROL SYSTEM

**DATA SHEET**

Customer

TWIN CROWN OHLFIELD  
EQUIPMENT L.L.C

Tag Number

Date

2026-5-26

Project

**PERFORMANCE TEST STANDARD**

Rated Flow (m <sup>3</sup> /h)	200
Rated Head (m)	50
Rated Power (kW)	29.53
Rated Speed (rpm)	2900
Rated Efficiency (%)	72
Type of Impeller	Close
Performance Test Standard	ISO9906:2012
Other Remarks	

**MATERIALS**

Casing	Cast Steel
Impeller	SS304
Shaft	3Cr13
Gasket	F4
Mechanical Seal	Graphite Vs Sic, Viton
Bearing	Bearing Steel GCr15
Rigid Steel Baseplate Steel	Steel Plate
Motor Housing	Cast Iron
Other Remarks	

**PUMP INSTALLATION**

Location	Indoor
Pump Version	Horizontal
Flange Standard	HG/T 20592-2009
Inlet	150 mm, PN16, RF, End
Outlet	100 mm, PN16, RF, Top
Pump Design Pressure	PN16
Coupling Type	Flexible Coupling
Pump Rotation	CW (viewed from drive end)

**GENERAL INFORMATION**

Model	MH125-100-200/2
Type of Pump	HorizOntal Centrifugal Pump
Pump Operating Mode	Continuous

**PUMP MEDIUM INFORMATION**

Liquid	Diesel, gasoline, jet fuel
Operating Temperature (°C)	Ambient
Denisty (g/cm <sup>3</sup> )	0.8
Viscosity (cps)	1
Soilds (mm)	0
Solids Concentration (%vol)	/
Other Remarks	

**SEAL SYSTEM**

Type of Seal	Cartridge Single Mechanical Seal
Seal Brand	
Type of Flushing	PLAN 01
Seal Faces-Rotating Ring	Sic
Seal Faces-Stationary Ring	Graphite
Elastomers	/
Metallic Components	SS304
Spring Type	Single Spring
Other Remarks	

**BEARINGS AND LUBRICATION**

Item	DE Bearing	NDE Bearing
Bearing Type	Deep Groove Ball Bearing	Deep Groove Ball Bearing
Model Number	6307	6307
Brand	HRB	HRB
Lubrication Method	Oil Lubrication	Oil Lubrication
Lubricant (Oil) Type	SHELL TELLUS OIL T68 (Ambient Temperature: 0~40degree)	SHELL TELLUS OIL T68 (Ambient Temperature: 0~40degree)

**SCOPE OF SUPPLY**

<input checked="" type="checkbox"/> Bare Pump	<input checked="" type="checkbox"/> Coupling	<input checked="" type="checkbox"/> Coupling Guard	<input type="checkbox"/> Mating Flange with Gasket and Bolts
<input type="checkbox"/> With Oil Cup	<input checked="" type="checkbox"/> Electric Motor	<input checked="" type="checkbox"/> Standard Baseplate	<input type="checkbox"/> Baseplate with Drip
<input type="checkbox"/> Grouted Baseplate	<input type="checkbox"/> Foundation Bolt	<input type="checkbox"/> Plywood Case Package	<input type="checkbox"/> Control Panel
<input type="checkbox"/> Pressure Transmitter for Pump Casing	<input type="checkbox"/> Pressure Gauge for Pump Casing	<input type="checkbox"/> Vibration Sensor for DE Bearing	<input type="checkbox"/> Temperature Sensor for DE Bearing
<input type="checkbox"/> Temperature Gauge for DE Bearing	<input type="checkbox"/> Vibration Sensor for NDE Bearing	<input type="checkbox"/> Temperature Sensor for NDE Bearing	<input type="checkbox"/> Temperature Gauge for NDE Bearing
Other Remarks:			

TWIN CROWN OIL FIELD EQUIPMENT L.L.C  
DUBAI, U.A.EWEBSITE : [www.twincrown.com](http://www.twincrown.com) E-MAIL : [sales@twincrown.com](mailto:sales@twincrown.com)  
TEL.: +971 4 258 4211 MOB. +971 52 888 8584 / +971 50 457 9978



TWIN CROWN CONTROL SYSTEM

## DATA SHEET

Customer

TWIN CROWN OHLFIELD  
EQUIPMENT L.L.C

Tag Number

Date

2026-5-26

Project

### ENVIRONMENTAL CONDITIONS

Ambient Temperature (°C)	-20~40
Altitude Above Sea Level (m)	<1000m

### MOTOR DRIVE DATA

Motor	YBX3
Motor Brand	
Frame Size	YBX3-225M-2
Rated Power (kW)	45
Number of Poles	2
Frequency (Hz)	50
Rated Voltage (V)	380
Power Supply	380 V, 50 Hz, 3 phase
Rated Speed (rpm)	2900
Rated Current (A)	80.8
Motor Efficiency (%)	94
Insulation Class	F
IP Class	IP55
Working Method	S1
Cooling System	IC411- Self Ventilated, surface cooled
Voltage Tolerance (%)	±5%
Noise Level (dB(A))	92
Explosion-Proof Grade	ExdIIBT4
Standard	IEC
Energy efficiency standards	IE3
Phase Number	3
Terminal Box Position	Top
Installation Location	Indoor
Control Panel	Without
Other Remarks	With ATEX certificate

TWIN CROWN OIL FIELD EQUIPMENT L.L.C  
DUBAI, U.A.E

WEBSITE : [www.twincrown.com](http://www.twincrown.com) E-MAIL : [sales@twincrown.com](mailto:sales@twincrown.com)  
TEL.: +971 4 258 4211 MOB. +971 52 888 8584 / +971 50 457 9978



TWIN CROWN CONTROL SYSTEM

# PERFORMANCE CURVE

Customer

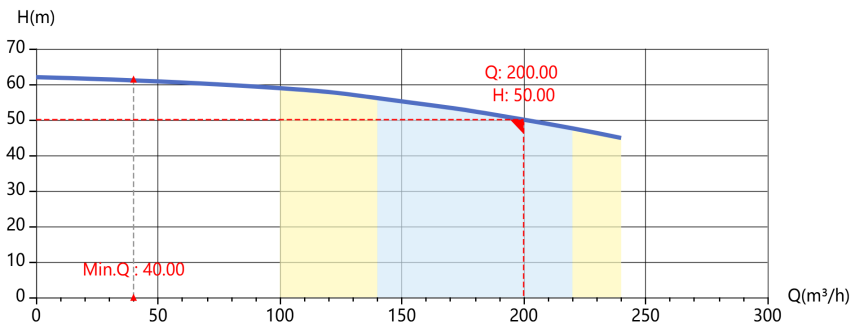
TWIN CROWN OHLFIELD EQUIPMENT L.L.C

Model

MH125-100-200/2

Date

2026-5-26



Curve Annotation:

▲ : Selected Point

■ : POR (Perferred Operating Range)

■ : AOR (Allowable Operating Region)

▲ : Minimum Flow Point

Liquid: Diesel, gasoline, jet fuel

Liquid Density: 0.8 g/cm<sup>3</sup>

Viscosity: 1 cps

Impeller: 223.00 mm

Rated Speed: 2900 rpm

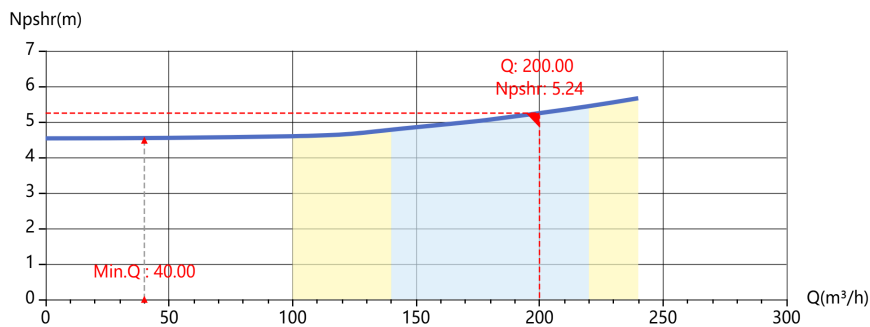
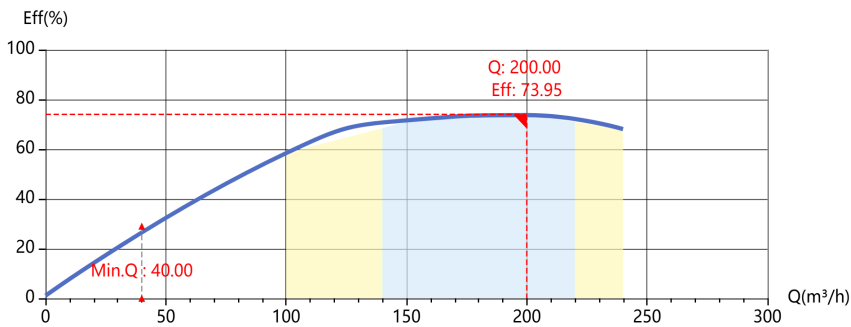
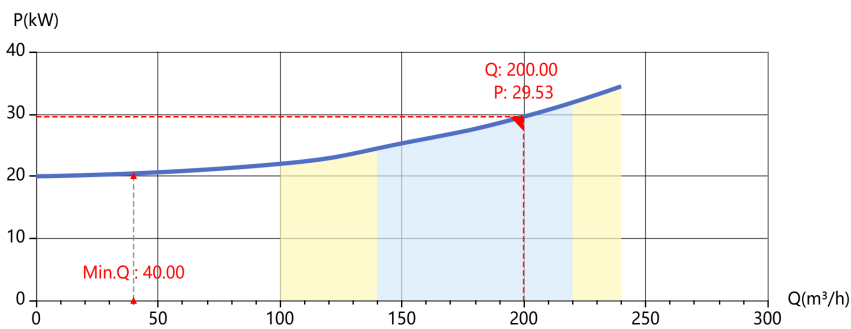
Rated Flow: 200 m<sup>3</sup>/h

Rated Head: 50 m

Rated Power: 29.53 kW

Rated Efficiency: 73.95 %

NPSHr: 5.24 m

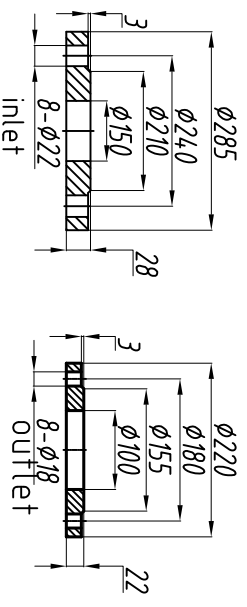
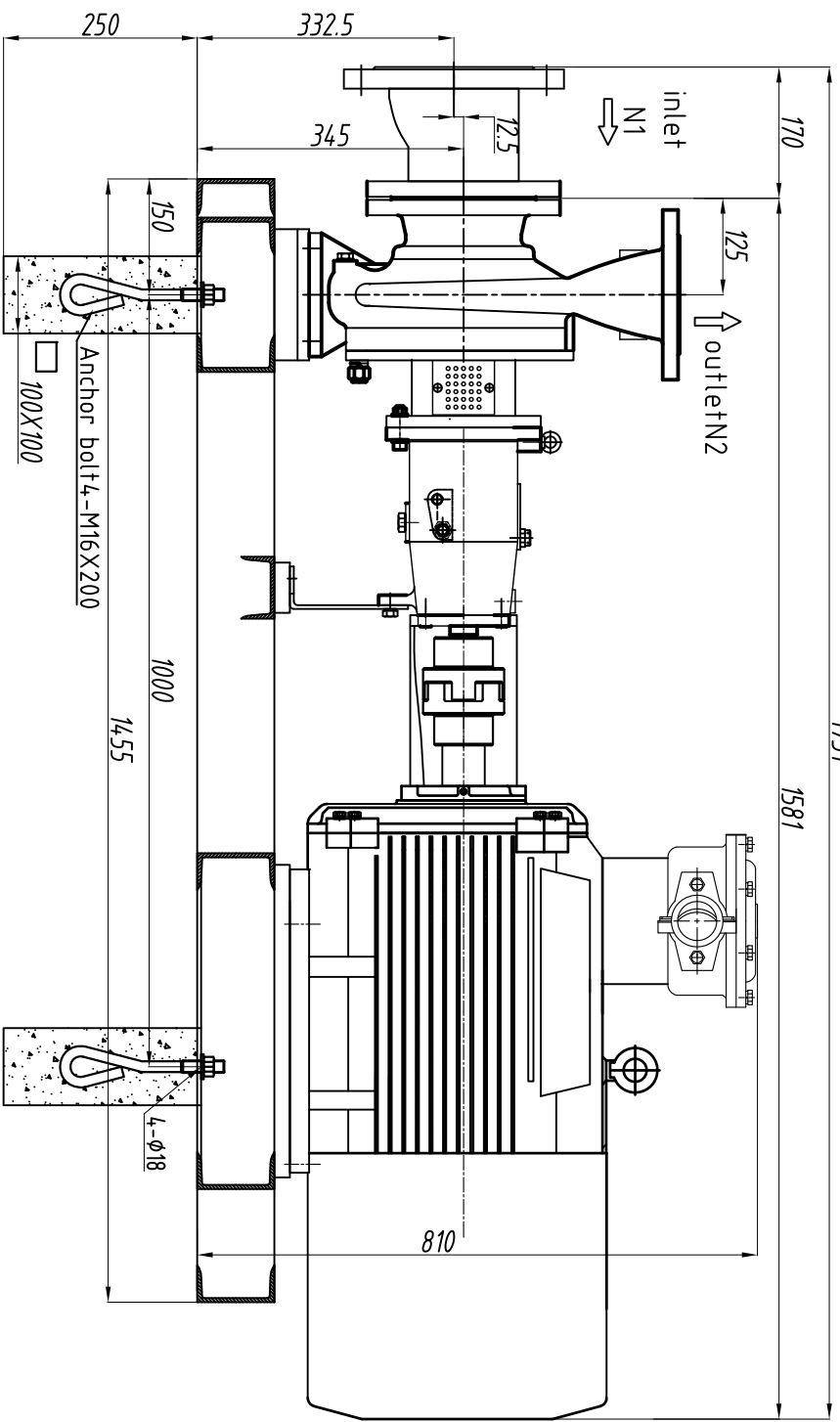


Sales Information: For Reference Only

TWIN CROWN OIL FIELD EQUIPMENT L.L.C  
DUBAI, U.A.E

WEBSITE : [www.twincrown.com](http://www.twincrown.com) E-MAIL : [sales@twincrown.com](mailto:sales@twincrown.com)

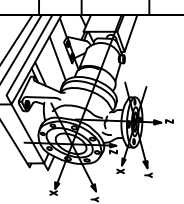
TEL.: +971 4 258 4211 MOB. +971 52 888 8584 / +971 50 457 9978



Reference drawing

Pipe orifice permissible load

Table of pipe connection		DN150 Inlet		DN100 Inlet	
serial number	Connection Size Standards	Force (N)	Moment (Nxm)	Force (N)	Moment (Nxm)
N1	HG/T20592 DN150 PN16	Fx 4,500	Mx 2500	Fx 3000	Mx 1750
N2	HG/T20592 DN100 PN16	Fy 4,050	My 1750	Fy 2700	My 1250
		Fz 5000	Mz 2050	Fz 3350	Mz 1450



Installation size chart

Motor model Y225M:4.5KW-2  
pump type MH125-100-200

Date  
Draw  
Audit  
Ratify



TWIN CROWN CONTROL SYSTEM

**DATA SHEET**

Customer

TWIN CROWN OHLFIELD  
EQUIPMENT L.L.C

Tag Number

Date

2026-5-26

Project

**PERFORMANCE TEST STANDARD**

Rated Flow (m <sup>3</sup> /h)	374
Rated Head (m)	28
Rated Power (kW)	28.07
Rated Speed (rpm)	1450
Rated Efficiency (%)	79
Type of Impeller	Close
Performance Test Standard	ISO9906:2012
Other Remarks	

**MATERIALS**

Casing	Cast Steel
Impeller	SS304
Shaft	3Cr13
Gasket	F4
Mechanical Seal	Graphite Vs Sic, Viton
Bearing	Bearing Steel GCr15
Rigid Steel Baseplate Steel	Steel Plate
Motor Housing	Cast Iron
Other Remarks	

**PUMP INSTALLATION**

Location	Indoor
Pump Version	Horizontal
Flange Standard	HG/T 20592-2009
Inlet	200 mm, PN16, RF, End
Outlet	150 mm, PN16, RF, Top
Pump Design Pressure	PN16
Coupling Type	Flexible Coupling
Pump Rotation	CW (viewed from drive end)

**GENERAL INFORMATION**

Model	MH200-150-315A/4
Type of Pump	Horizontal Centrifugal Pump
Pump Operating Mode	Continuous

**PUMP MEDIUM INFORMATION**

Liquid	Diesel, gasoline, jet fuel
Operating Temperature (°C)	Ambient
Denisty (g/cm <sup>3</sup> )	0.8
Viscosity (cps)	1
Soilds (mm)	0
Solids Concentration (%vol)	/
Other Remarks	

**SEAL SYSTEM**

Type of Seal	Cartridge Single Mechanical Seal
Seal Brand	
Type of Flushing	PLAN 01
Seal Faces-Rotating Ring	Sic
Seal Faces-Stationary Ring	Graphite
Elastomers	
Metallic Components	SS304
Spring Type	Single Spring
Other Remarks	

**BEARINGS AND LUBRICATION**

Item	DE Bearing	NDE Bearing
Bearing Type	Deep Groove Ball Bearing	Deep Groove Ball Bearing
Model Number	6311	6311
Brand	HRB	HRB
Lubrication Method	Oil Lubrication	Oil Lubrication
Lubricant (Oil) Type	SHELL TELLUS OIL T68 (Ambient Temperature: 0~40degree)	SHELL TELLUS OIL T68 (Ambient Temperature: 0~40degree)

**SCOPE OF SUPPLY**

<input checked="" type="checkbox"/> Bare Pump	<input type="checkbox"/> Coupling	<input type="checkbox"/> Coupling Guard	<input type="checkbox"/> Mating Flange with Gasket and Bolts
<input type="checkbox"/> With Oil Cup	<input type="checkbox"/> Electric Motor	<input type="checkbox"/> Standard Baseplate	<input type="checkbox"/> Baseplate with Drip
<input type="checkbox"/> Grouted Baseplate	<input type="checkbox"/> Foundation Bolt	<input type="checkbox"/> Plywood Case Package	<input type="checkbox"/> Control Panel
<input type="checkbox"/> Pressure Transmitter for Pump Casing	<input type="checkbox"/> Pressure Gauge for Pump Casing	<input type="checkbox"/> Vibration Sensor for DE Bearing	<input type="checkbox"/> Temperature Sensor for DE Bearing
<input type="checkbox"/> Temperature Gauge for DE Bearing	<input type="checkbox"/> Vibration Sensor for NDE Bearing	<input type="checkbox"/> Temperature Sensor for NDE Bearing	<input type="checkbox"/> Temperature Gauge for NDE Bearing
Other Remarks:			

TWIN CROWN OIL FIELD EQUIPMENT L.L.C  
DUBAI, U.A.EWEBSITE : [www.twincrown.com](http://www.twincrown.com) E-MAIL : [sales@twincrown.com](mailto:sales@twincrown.com)  
TEL.: +971 4 258 4211 MOB. +971 52 888 8584 / +971 50 457 9978



TWIN CROWN CONTROL SYSTEM

# PERFORMANCE CURVE

Customer

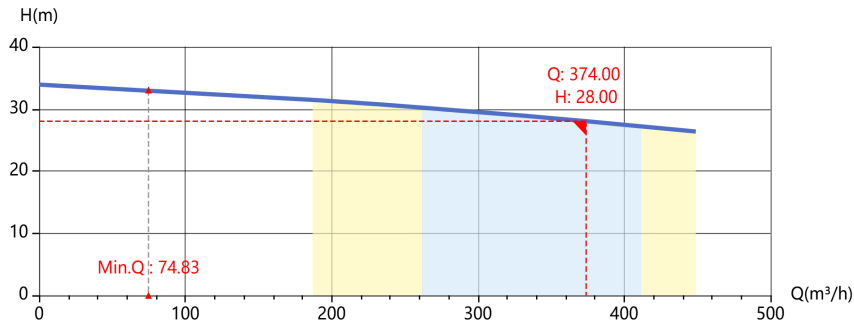
TWIN CROWN OHLFIELD EQUIPMENT L.L.C

Model

MH200-150-315/4

Date

2026-5-26



Curve Annotation:

▼ : Selected Point

■ : POR (Perferred Operating Range)

■ : AOR (Allowable Operating Region)

▲ : Minimum Flow Point

Liquid: Diesel, gasoline, jet fuel

Liquid Density: 0.8 g/cm³

Viscosity: 1 cps

Impeller: 305.86 mm

Rated Speed: 1450 rpm

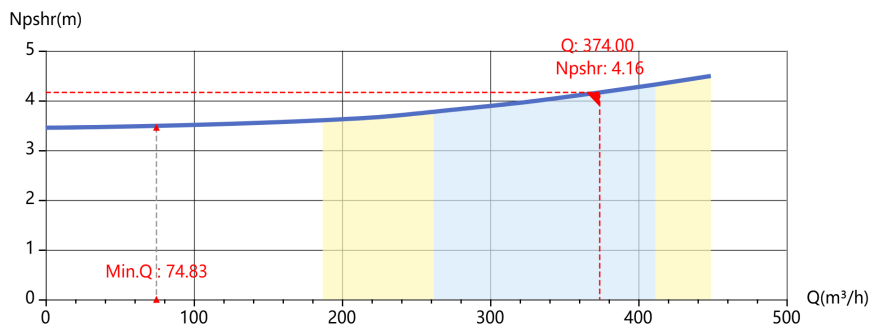
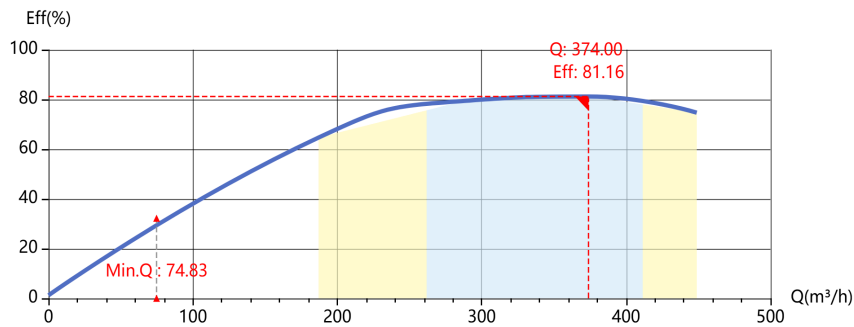
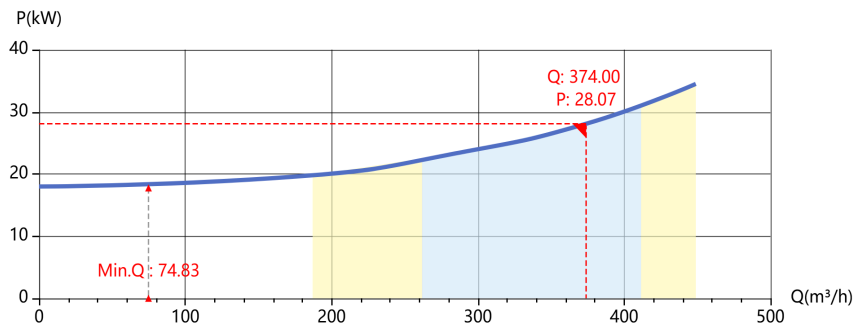
Rated Flow: 374 m³/h

Rated Head: 28 m

Rated Power: 28.07 kW

Rated Efficiency: 81.16 %

NPSHr: 4.16 m

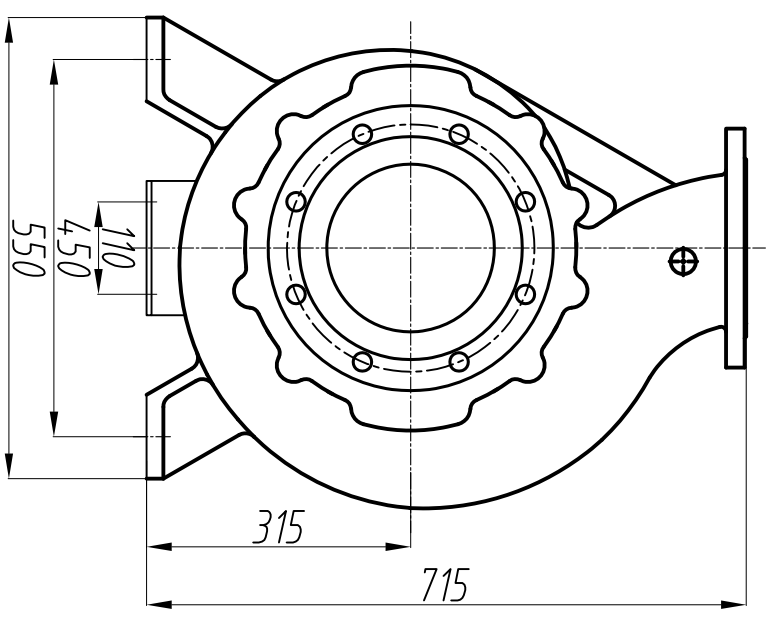
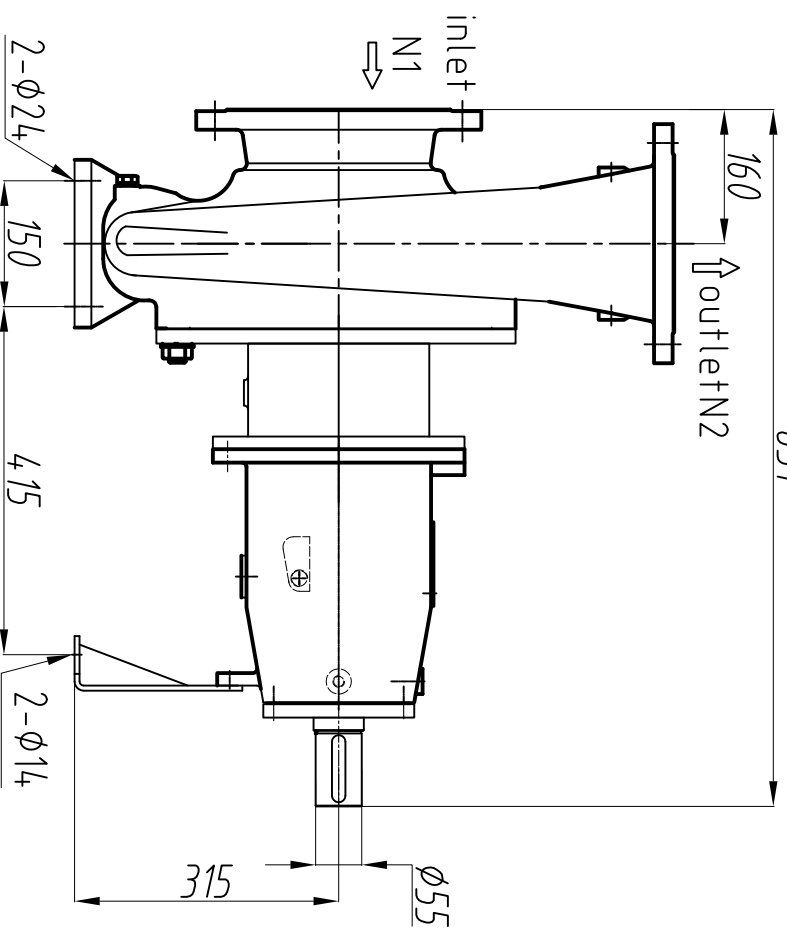


Sales Information: For Reference Only

TWIN CROWN OIL FIELD EQUIPMENT L.L.C  
DUBAI, U.A.E

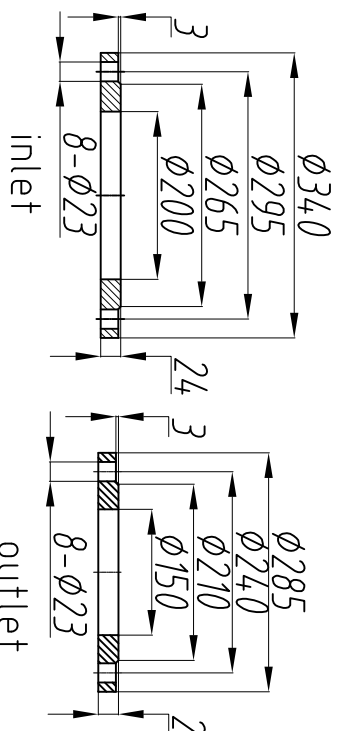
WEBSITE : [www.twincrown.com](http://www.twincrown.com) E-MAIL : [sales@twincrown.com](mailto:sales@twincrown.com)  
TEL.: +971 4 258 4211 MOB. +971 52 888 8584 / +971 50 457 9978

Reference drawing



Pipe orifice permissible load

Table of pipe connection		Use	DN200inlet				DN150outlet							
serial number	Connection Size Standards		Fx (N)	Fy (N)	Fz (N)	Mx (Nm)	My (Nm)	Mz (Nm)	Fx (N)	Fy (N)	Fz (N)	Mx (Nm)	My (Nm)	Mz (Nm)
N1	HG/T20592 DN200 PN16	inlet	6000	5400	6700	3250	2300	2650	4500	4050	5000	2500	1750	2050
N2	HG/T20592 DN150 PN16	outlet												



pump size chart

Date	
Draw	
Audit	
Ratio	